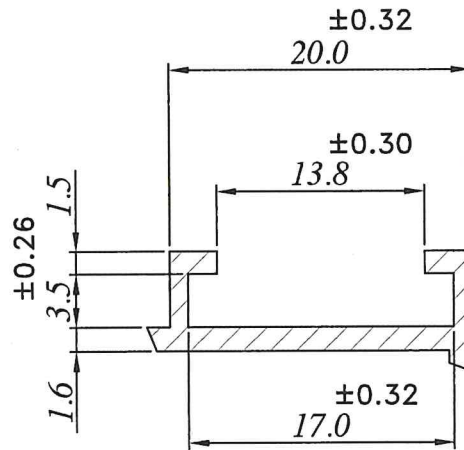
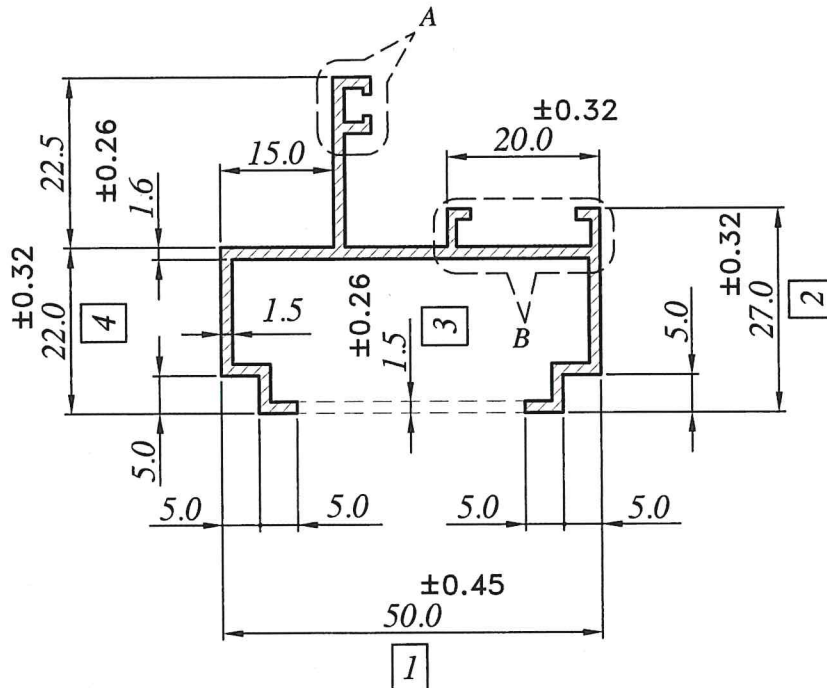


DETAILS AT- A



DETAILS AT- B



LOCATION:-P1 - 1HOLE  
 ALL DIMENSION ARE IN M.M.  
 UNSPECIFIED CORNER RADIUS:0.40

TOL. AS PER B.S.1474:1987  
 UNLESS SPECIFIED

TWIST = 1/4°/300M.M.M.  
 STRAIGHTNESS = 1.5 M.M./MTR.  
 ANGULARITY = ±2°

**INDO ALUSYS INDUSTRIES LIMITED BHIWADI RAJASTHAN - 301019**

PARTY SAMPLE & DRG. DRG. No.-F1A		PARTY NAME M/S UNIBUILD			REF:-MKT-22/U-10/2001/634 Dt-01.10.07			
	(D)	DIM. 2.8 WAS 2.5		DRAWN	DHARMVIR	17.10.07	AREA	233.00 MM <sup>2</sup>
	(C)	DIM. 4.5 WAS 4.3		CHECKED	<i>SB</i>	3.10.09	WEIGHT	0.630 KG/M.
	(B)	DIM. 1.0 WAS 1.6		APPROVED	<i>SB</i>	03.10.09	WT. RANGE	----- Kg/12'
	(A)	DIM. 2.5 WAS 1.8		SCALE	1:1,2:1&3:1	DATE	ALLOY	6063
001	(REF.)	MKTG. (HO) Dt-6.11.2007		CRITICAL DIM.	*		MAL NO	10240
REV. STATUS	REV. NO.	DESCRIPTION	SIGN DATE	PERIMETER	INT.	-----	SEC.NO.	D-4347
					EXT	308 00		