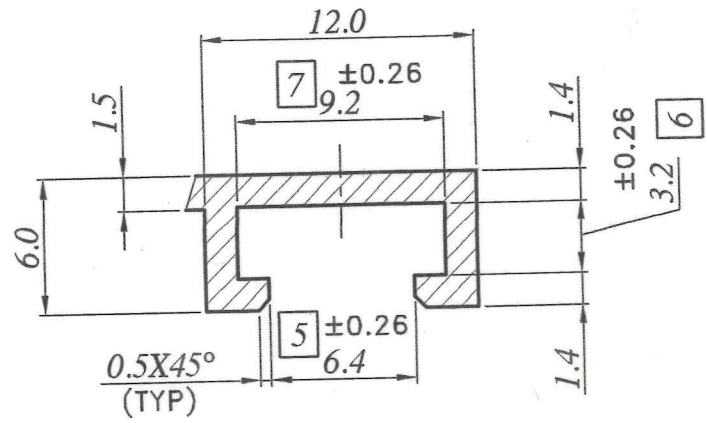
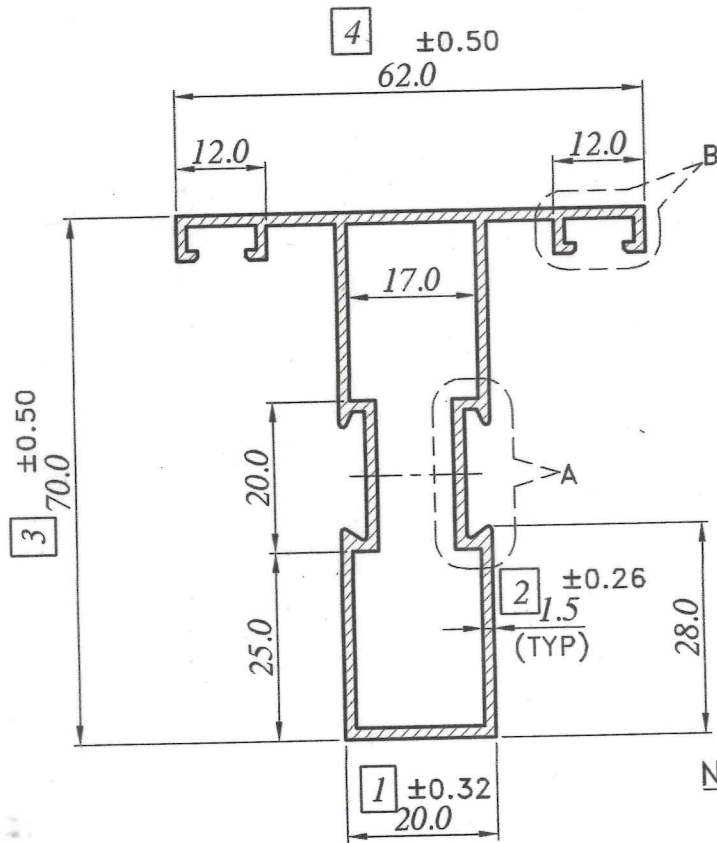


DETAIL. AT- A



DETAIL AT- B



NOTE:-  
R = 0.50R

LOCATION:-P1 - 1HOLE  
ALL DIMENSION ARE IN M.M.  
UNSPECIFIED CORNER RADIUS:0.40

TOL. AS PER B.S.1474:1987  
UNLESS SPECIFIED

TWIST = 1/4°/300M.M.M.  
STRAIGHTNESS = 1.5 M.M./MTR.  
ANGULARITY = ±2°

**INDO ALUSYS INDUSTRIES LIMITED BHIWADI RAJASTHAN - 301019**

PARTY SAMPLE & DRG.		BTAL-45		PARTY NAME M/S BESTECH			REF:-AS PER DRG. Dt-16.12.08		
				DRAWN	DHARMVIR	16.12.08	AREA	385.28	MM <sup>2</sup>
				CHECKED	<i>[Signature]</i>	7.1.09	WEIGHT	1.040	KG/M.
				APPROVED	<i>[Signature]</i>	7.1.09	WT. RANGE	-----	Kg/12'
				SCALE	1:1,2:1&3:1	DATE	ALLOY	6063-T6	
00	(REF.)			CRITICAL DIM. *			MAL NO	10869	
REV. STATUS	REV. NO.	DESCRIPTION	SIGN DATE	PERIMETER	INT.	181.60	SEC.NO.	D-4550	
		REVISION			EXT.	333.00			