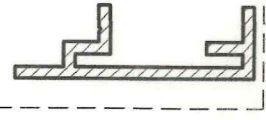
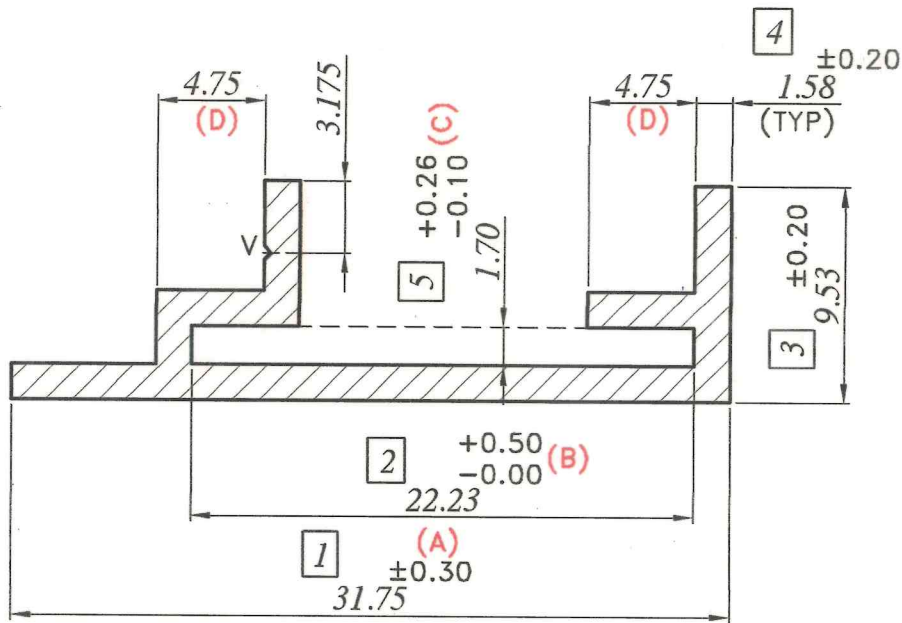


EXPOSED SURFACE



ACTUAL SIZE



NOTE:-

$V = 0.30 \times 90^\circ$  (V GROOVE)

LOCATION:-P2 - 4FOLE

ALL DIMENSION ARE IN M.M.

UNSPECIFIED CORNER RADIUS:0.40

TOL. AS PER B.S.1474:1987

UNLESS SPECIFIED

TWIST

=  $1/4^\circ/300M.M.M.$

STRAIGHTNESS

= 1.5 M.M./MTR.

ANGULARITY

=  $\pm 2^\circ$

**INDO ALUSYS INDUSTRIES LIMITED BHIWADI RAJASTHAN - 301019**

PARTY SAMPLE & DRG.		C35989	PARTY NAME		CARYAIRE	REF:-AS PER EMAIL ON Dt-16.01.09		
	(D)	DIM. 4.75 WAS 2.00	DRAWN	DHARMVIR	17.01.09	AREA	90.50	MM <sup>2</sup>
	(C)	+0.26 +0.30 TOL. -0.10 WAS -0.10	CHECKED	<i>[Signature]</i>	8.7.09	WEIGHT	0.244	KG/M.
	(B)	+0.50 +0.50 TOL. -0.00 WAS -0.10	APPROVED	<i>[Signature]</i>	8.7.09	WT. RANGE	-----	Kg/12'
	(A)	TOL. $\pm 0.30$ WAS $\pm 0.40$	SCALE	1:1&3:1	DATE	ALLOY	6063-T5	
001	(REF.)	AS PER EMAIL ON Dt.-28.04.09	CRITICAL DIM.		*	MAL NO	10921	
REV. STATUS	REV. NO.	DESCRIPTION	SIGN DATE	PERIMETER	INT.	-----	SEC.NO.	D-4699
		REVISION			EXT.	118.00		