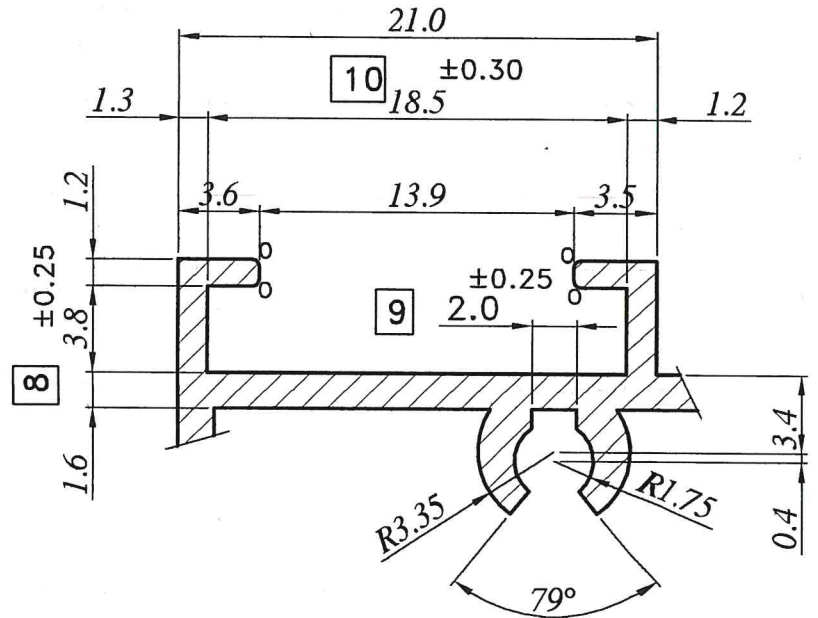
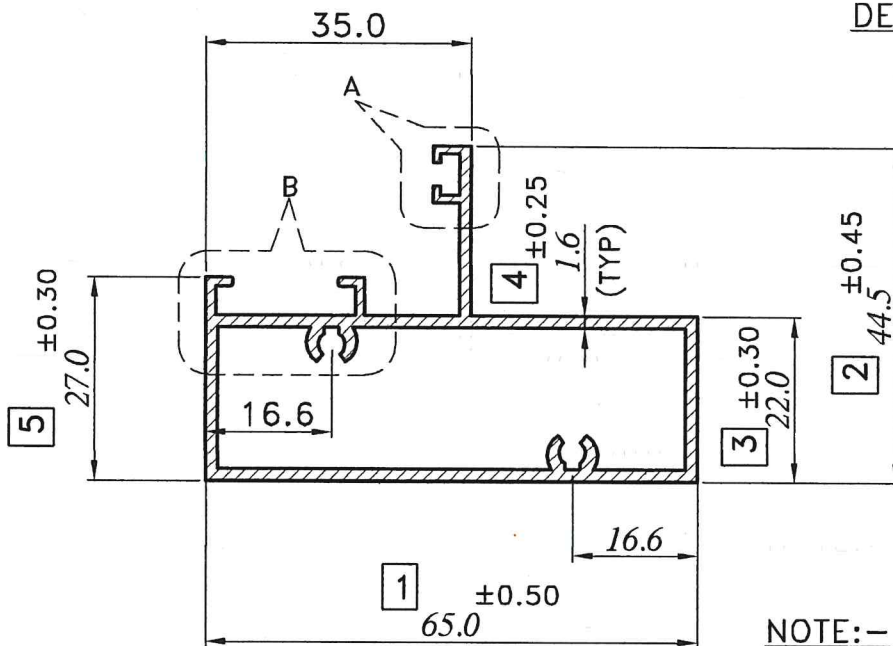


DETAIL AT- A



DETAIL AT- B



NOTE:-

$O = 0.30R$

LOCATION:-P2 - 1HOLE
ALL DIMENSION ARE IN M.M.
UNSPECIFIED CORNER RADIUS:0.40

TOL. AS PER BS EN 755-9:2008
UNLESS SPECIFIED

TWIST = ±1/4°/300 M.M./M.
STRAIGHTNESS = 1.50 M.M./MTR.
ANGULARITY = ±1.5°

INDO ALUSYS INDUSTRIES LIMITED BHIWADI RAJASTHAN - 301019

PARTY SAMPLE & DRG.		WZD		PARTY NAME			M/S AAP		REF:-AS PER EMAIL ON DT.-27.11.10	
				DRAWN	DHARMVIR	29.11.10	AREA	359.00	MM ²	
				CHECKED	881	18.12.10	WEIGHT	0.969	KG/M.	
				APPROVED	881	18.12.10	WT. RANGE	-----	Kg/12'	
				SCALE	1:1&3:1	DATE	ALLOY	6063-T6		
00	(REF.)			CRITICAL DIM. *			MAL NO	11991		
REV. STATUS	REV. NO.	DESCRIPTION	SIGN DATE	PERIMETER	INT.	195.92	SEC.NO.	D-5092		
		REVISION			EXT.	266.48				