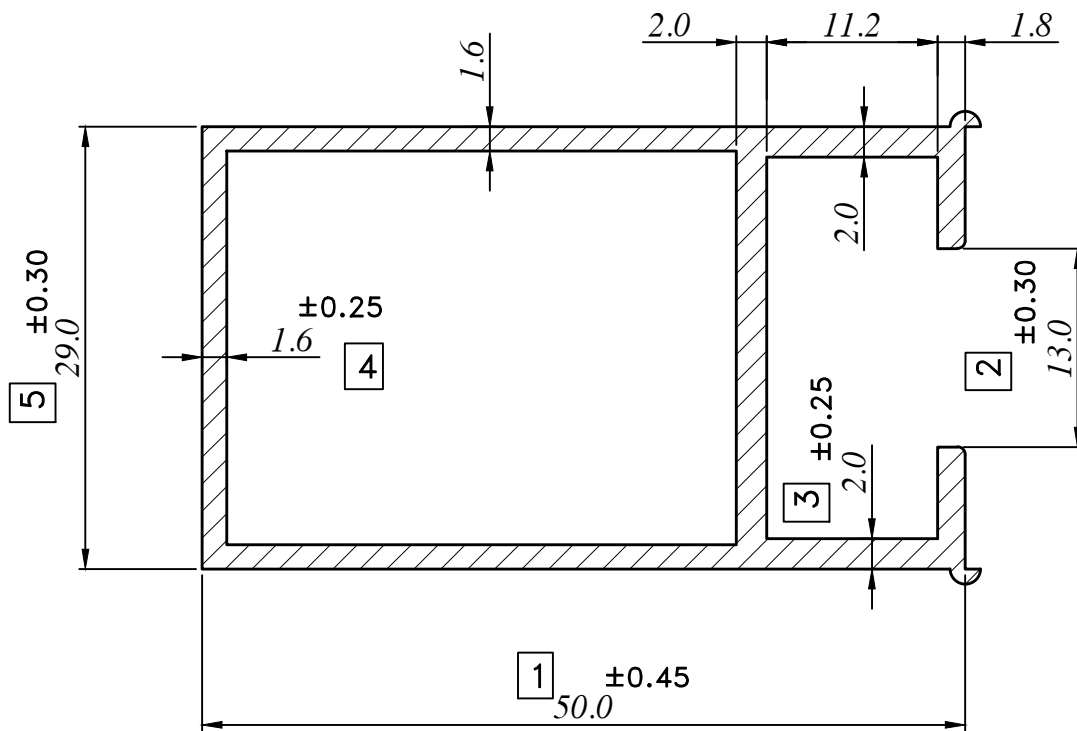


ACTUAL SIZE



LOCATION:-P2 - 1HOLE
 ALL DIMENSION ARE IN M.M.
 UNSPECIFIED CORNER RADIUS:0.40

TOL. AS PER BS EN 755-9:2008
 UNLESS SPECIFIED

TWIST = ±1/4°/300 M.M./M.
 STRAIGHTNESS = 1.50 M.M./MTR.
 ANGULARITY = ±1.5°

INDO ALUSYS INDUSTRIES LIMITED BHIWADI RAJASTHAN - 301019

PARTY SAMPLE & DRG.		BATL-87		PARTY NAME M/S BESTECH			REF:-AS PER EMAIL ON Dt.-02.12.10	
				DRAWN	DHARMVIR	08.12.10	AREA	288.00 MM ²
				CHECKED			WEIGHT	0.778 KG/M.
				APPROVED			WT. RANGE	----- Kg/12'
				SCALE	1:1&2:1	DATE	ALLOY	6063-T6
00	(REF.)			CRITICAL DIM. *			MAL NO	12008
REV. STATUS	REV. NO.	DESCRIPTION	SIGN DATE	PERIMETER	INT.	118.40	SEC.NO.	D-5108
REVISION					EXT.	213.85		