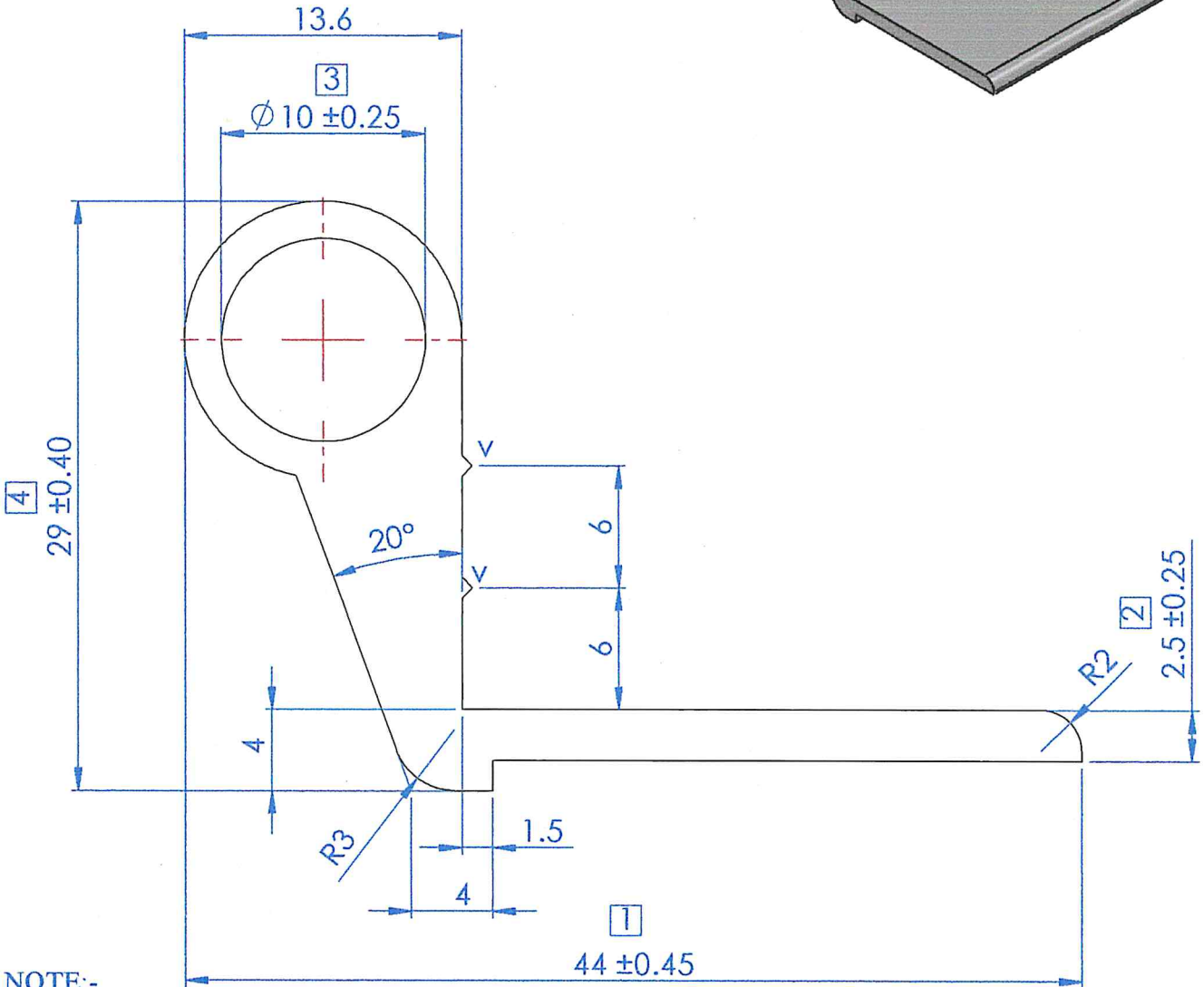
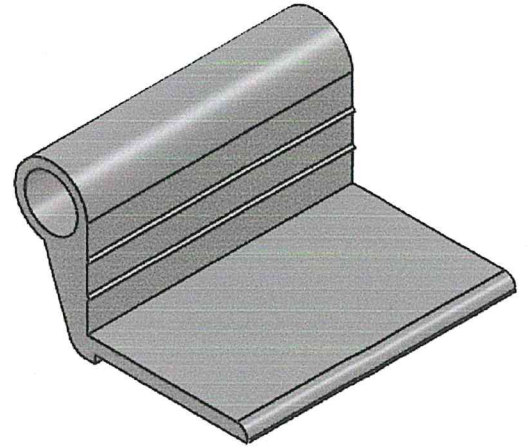


WT. RANGE:- 2.200 TO 2.400KG/12'



NOTE:-

V= 0.50X90°

LOCATION:-P2 - 1HOLE
 ALL DIMENSION ARE IN M.M.
 UNSPECIFIED CORNER RADIUS:0.40

TOL. AS PER IS : 6477-1983
 UNLESS SPECIFIED

TWIST= ±1/4°/300 M.M./M.
 STRAIGHTNESS= 1.50 M.M./MTR.
 ANGULARITY= ±1.5°

INDO ALUSYS INDUSTRIES LIMITED BHIWADI RAJASTHAN - 301019

| | | | | | | | | |
|---------------------|---------------|-------------|---------------------------------------|----------------------|-----------------|---|----------------|-----------------|
| PARTY SAMPLE & DRG. | | DRG. | PARTY NAME M/S KOHLI ALUMINIUM | | | REF:-AS PER DIE ORDER FORM Dt.-24.11.11 | | |
| | | | DRAWN | DHARMVIR | 28.11.11 | AREA | 236.50 | MM ² |
| | | | CHECKED | <i>[Signature]</i> | 9.12.11 | WEIGHT | 0.639 | KG/M. |
| | | | APPROVED | <i>[Signature]</i> | 9.12.11 | WT. RANGE | ----- | Kg/12' |
| | | | SCALE | 1:1 & 3:1 | DATE | ALLOY | 63400WP | |
| 00 | (REF.) | | CRITICAL DIM. * | | | MAL NO | 12624 | |
| REV. STATUS | REV. NO. | DESCRIPTION | SIGN DATE | PERIMETER | INT. | 31.42 | SEC.NO. | D-5305 |
| | | REVISION | | | EXT. | 132.15 | | |