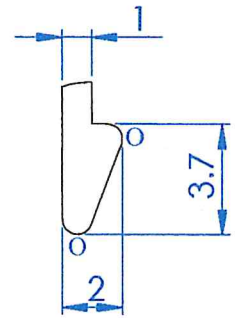
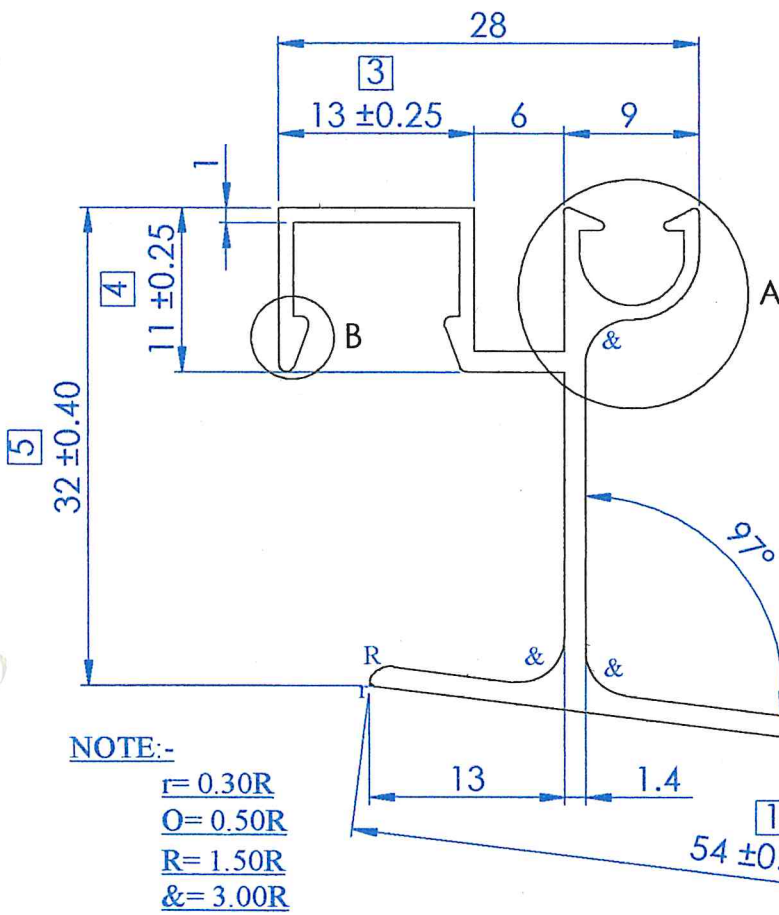


DETAIL A
SCALE 4 : 1



DETAIL B
SCALE 4 : 1

NOTE:-

- $F = 0.30R$
- $O = 0.50R$
- $R = 1.50R$
- $\& = 3.00R$

TWIST = $\pm 1/4^\circ / 300$ M.M./M.

LOCATION:-P3 - 1HOLE
ALL DIMENSION ARE IN M.M.
UNSPECIFIED CORNER RADIUS:0.40

TOL. AS PER BS EN 755-9:2008
UNLESS SPECIFIED

STRAIGHTNESS = 1.50 M.M./MTR.
ANGULARITY = $\pm 1.5^\circ$

INDO ALUSYS INDUSTRIES LIMITED BHIWADI RAJASTHAN - 301019

PARTY SAMPLE & DRG. SAMPLE 3R 100		PARTY NAME M/S THREE R CONSTRUCTION SOLUTIONS PVT. LTD.		REF:-AS PER SAMPLE Dt.-05.1.11			
			DRAWN	DHARMVIR	14.10.11	AREA	185.50 MM ²
			CHECKED	<i>[Signature]</i>	15-2-12	WEIGHT	0.501 KG/M.
			APPROVED	<i>[Signature]</i>	15-2-12	WT. RANGE	----- Kg/12'
			SCALE	1:1,2:1&4:1	DATE	ALLOY	6063-T6
00	(REF.)		CRITICAL DIM.	*		MAL NO	12544
REV. STATUS	REV. NO.	DESCRIPTION	SIGN DATE	PERIMETER	INT.	SEC.NO.	D-5346
		REVISION			EXT.		