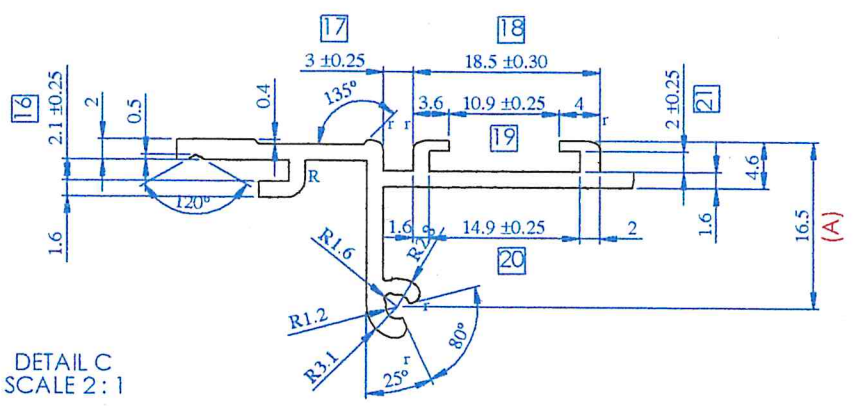


DETAIL A  
SCALE 2 : 1

NOTE:-  
r = 1.00R  
R = 2.00R



DETAIL C  
SCALE 2 : 1

LOCATION:- P1 - 1HOLE  
ALL DIMENSION ARE IN M.M.  
UNSPECIFIED CORNER RADIUS:0.40

TOL. AS PER BS EN 755-9:2008  
UNLESS SPECIFIED

TWIST=±1/4°/300 M.M./M.  
STRAIGHTNESS= 1.50 M.M./MTR.  
ANGULARITY=±1.5°

**INDO ALUSYS INDUSTRIES LIMITED BHIWADI RAJASTHAN - 301019**

PARTY SAMPLE & ORG.		SAMPLE		PARTY NAME M/S INOVATIVE INDIA			REF:- AS PER IOM Dt.-06.04.12		
				DRAWN	DHARMVIR	09.04.12	AREA	762.65	MM <sup>2</sup>
				CHECKED		22.9.12	WEIGHT	2.059	KG/M.
				APPROVED		2.5.12	WT. RANGE	-----	Kg/12
	(A)	DIM. 16.5 WAS 19.5mm.		SCALE	1:1 & 2:1	DATE	ALLOY	6063-T6	
00	(REF.)	AS PER DISC. WITH MKT. D.-23		04.12	CRITICAL DIM.	*	MAL NO	12880	
REV. STATUS	REV. NO.	DESCRIPTION	SIGN DATE	INT.	EXT.	943.00	SEC.NO.	D-5458	
REVISION				PERIMETER	EXT.	943.00			