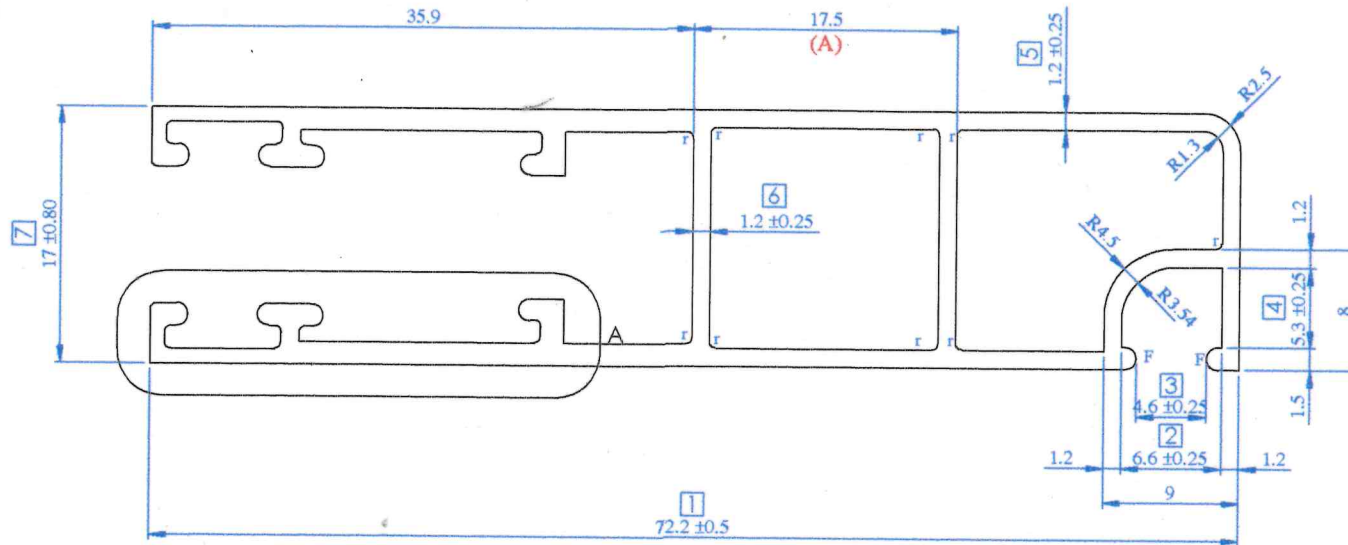
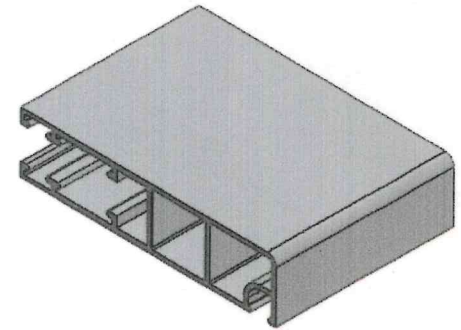


DETAIL A
SCALE 5:1



NOTE:-
r = 0.40R
F = Full Radius

LOCATION:- P2 - IHOLE
ALL DIMENSION ARE IN M.M.
UNSPECIFIED CORNER RADIUS: 0.40

TOL. AS PER BS EN 755-9:2008
UNLESS SPECIFIED,

TWIST = ±1/4°/300 M.M./M.
STRAIGHTNESS = 1.50 M.M./MTR.
ANGULARITY = ±1.5°

INDO ALUSYS INDUSTRIES LIMITED BHIWADI RAJASTHAN - 301019									
PARTY SAMPLE & DRG. AGV/SEC/PROFILE/4-07		PARTY NAME M/S AGV ALFAB			REF:- AS PER IOM Dt.-14.512				
		DRAWN	DHARMVIR	17.05.12	AREA	284.40	MM ²		
		CHECKED	[Signature]		WEIGHT	0.786	KG/M.		
		APPROVED	[Signature]		WT. RANGE	----- Kg/12			
	(A)	DIM. 17.50 WAS 16.70mm.		28.08	SCALE	1:1,3:1&5:1	DATE	ALLOY	6063-T6
0.01	(REF.)	AS PER EMAIL ON Dt.-24.07.12			CRITICAL DIM.	*		MAL NO	12946
REV. STATUS	REV. NO.	DESCRIPTION	SIGN DATE	INT.	58.71	SEC.NO.		D-5596	
		REVISION		PERIMETER	EXT.	375.32			