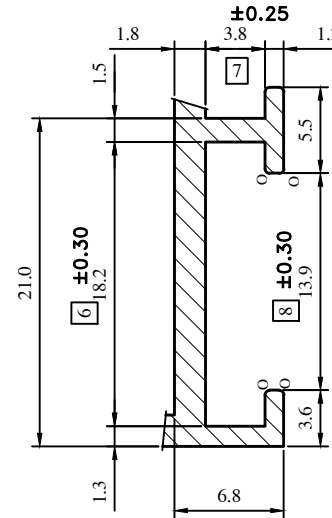
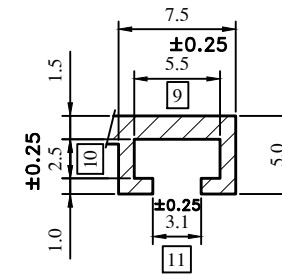


DOOR MIDRAIL



DETAIL AT- B



DETAIL AT- A

NOTE:-
O= 0.30R

LOCATION:-P1 - 1HOLE
ALL DIMENSION ARE IN M.M.
UNSPECIFIED CORNER RADIUS:0.40

TOL. AS PER BS EN 755-9:2008
UNLESS SPECIFIED

TWIST = ±1/4°/300 M.M./M.
STRAIGHTNESS = 1.50 M.M./MTR.
ANGULARITY = ±1.5°

INDO ALUSYS INDUSTRIES LIMITED BHIWADI RAJASTHAN - 301019									
PARTY SAMPLE & DRG.		J D 3		PARTY NAME M/S AAP		DIVISION		REF:-AS PER EMAIL ON Dt.-11.06.12	
					DRAWN	DHARMVIR	14.06.12	AREA	716.00 MM ²
					CHECKED			WEIGHT	1.933 KG/M.
					APPROVED			WT. RANGE	----- Kg/12'
					SCALE	1:1 & 3:1	DATE	ALLOY	6063-T6
00	(REF.)				CRITICAL DIM.	*		MAL NO	13029
REV. STATUS	REV. NO.	DESCRIPTION	SIGN DATE	PERIMETER	INT.	313.60	EXT.	518.00	SEC.NO. D-5603
REVISION									