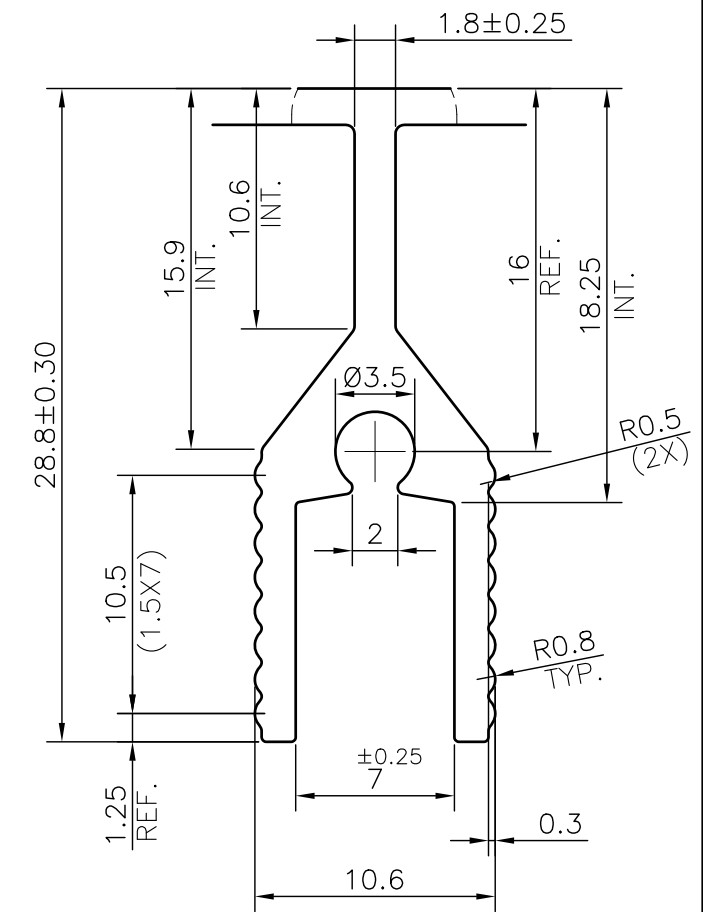
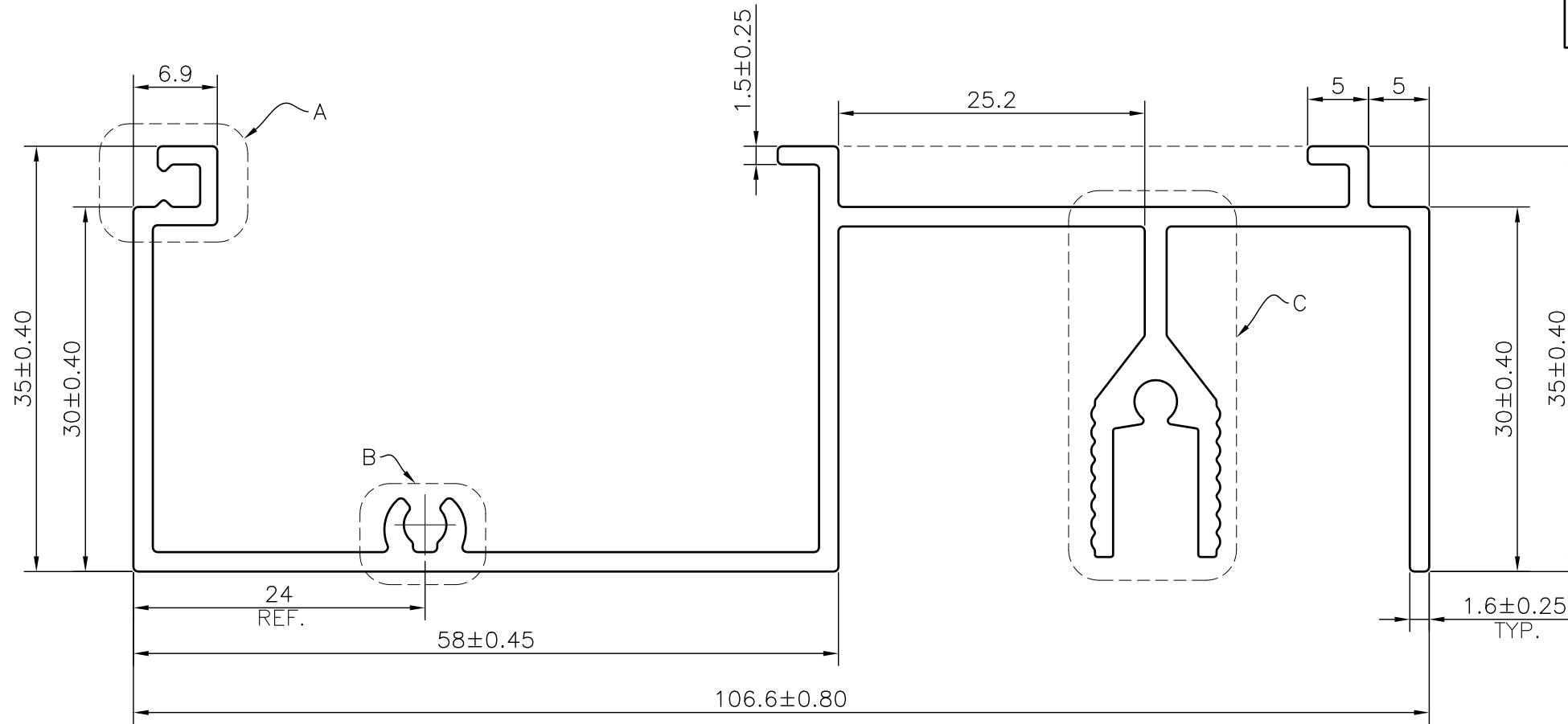
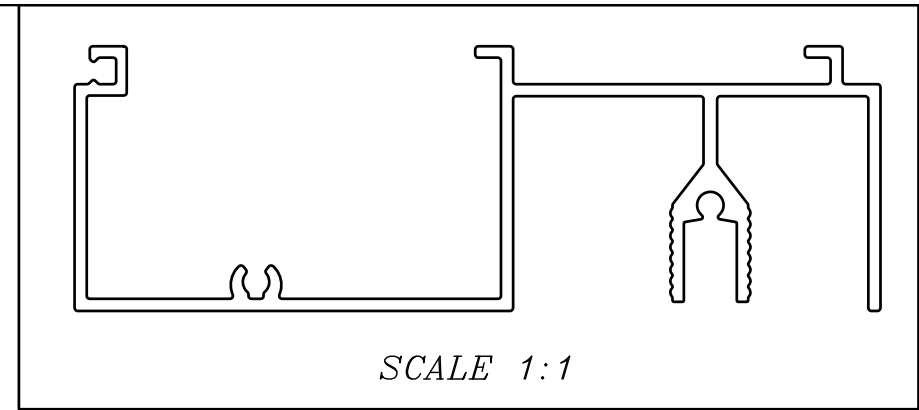


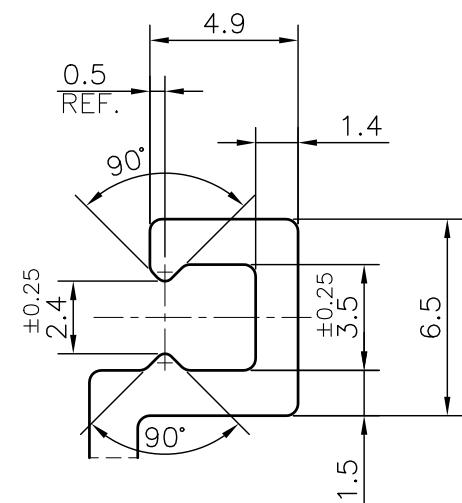
MAL NO.-13178

D5643

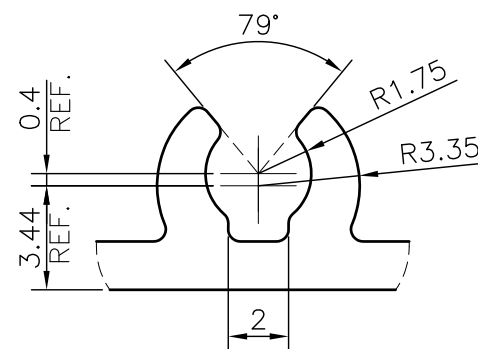


DETAIL C
SCALE 3:1

1. STRAIGHTNESS= 1.7mm/M
2. TWIST= 1.7mm/M
3. ANGULARITY= ±2°
4. FLATNESS= 0.007xWIDTH



DETAIL A
SCALE 4:1



DETAIL B
SCALE 4:1

<p>SYMBOL OF QUALITY AN ISO 9001 COMPANY</p>	<p>JINDAL ALUMINIUM LTD. BANGALORE-560073 (INDIA)</p>		NAME	DATE
	<p>1. ALL DIMENSIONS ARE IN mm. 2. ROUND OFF ALL SHARP CORNERS WITH 0.40 mm. 3. TOLERANCES WILL BE AS PER BS:EN-755-9 , UNLESS OTHERWISE SPECIFIED</p>		DRAWN	ASHUTOSH 22-08-2023
PARTY'S NAME	AAP DIVISION		CHECKED	
PARTY'S DRAWING No.	AS PER DRAWING		APPROVED	
ALLOY & TEMPER	6063 T6	PRODUCT CODE:-048 HSN CODE:-76042990	SCALE	2:1
DESCRIPTION	WINDOW SECTION		AREA mm ²	463.695
			PERIMETER mm.	555.23
			WEIGHT kg/m	1.252
			DRAWING No.	SECTION No.
			MAL NO.-13178	-
			D5643	D5643