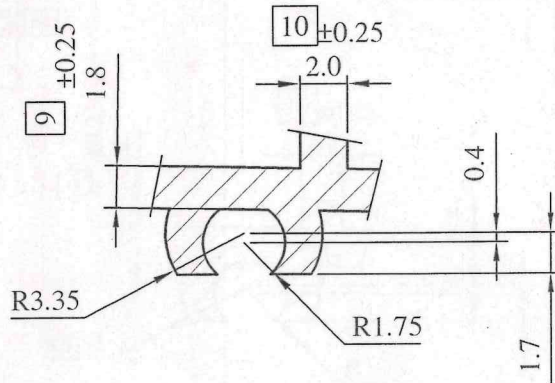
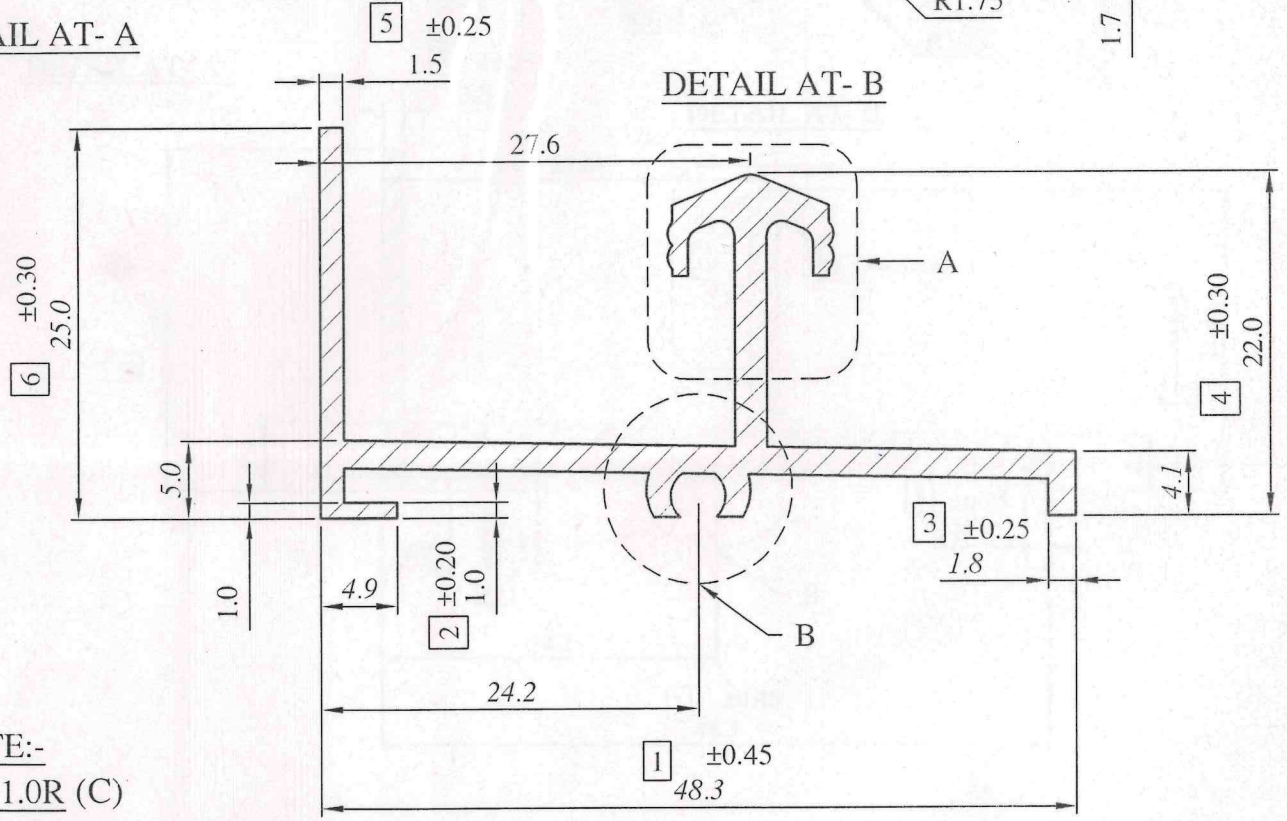


ACTUAL SIZE



DETAIL AT-A

DETAIL AT-B



NOTE:-
R = 1.0R (C)

LOCATION-P2 - 1HOLE
ALL DIMENSION ARE IN M.M.
UNSPECIFIED CORNER RADIUS:0.40

TOL. AS PER BS EN 755-9:2008
UNLESS SPECIFIED

TWIST = 1/4°/300 M.M./M.
STRAIGHTNESS = 1.50 M.M./MTR.
ANGULARITY = ±2°

INDO ALUSYS INDUSTRIES LIMITED BHIWADI RAJASTHAN - 301019

PARTY SAMPLE & DRG.		SD1b*		PARTY NAME M/S AAP DIVISION			REF:-AS PER EMAIL ON Dt.-28.07.12	
	(C)	RADIUS 1.0 ADDED		DRAWN	DHARMVIR	03.08.12	AREA	198.07 MM ²
	(B)	RADIUS 1.5 ADDED		CHECKED			WEIGHT	0.535 KG/M.
	(REF.)	AS PER EMAIL DT.- 03.01.17		APPROVED			WT. RANGE	----- Kg/12'
001	(A)	DIM. 6.6 WAS 11.1		SCALE	1:1,2:1&3:1	DATE	ALLOY	6063 - T6
	(REF.)	AS PER DISC. WITH Mr. DEEPAK (Fabr.) DT-31.12.16		CRITICAL DIM. *			MAL NO	13180
REV. STATUS	REV. NO.	DESCRIPTION	SIGN DATE	PERIMETER	INT.	-----	SEC.NO.	D-5645
		REVISION			EXT.	229.22		