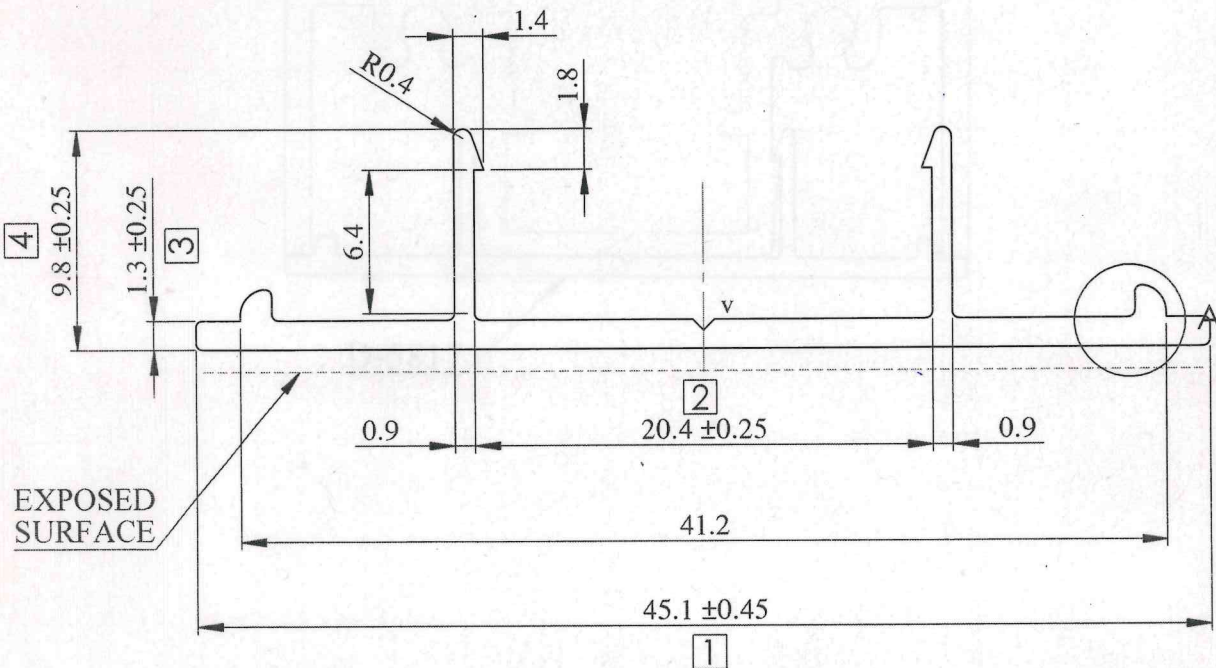


DETAIL A
SCALE 6 : 1



NOTE:-
V = 0.50X90°

LOCATION:-P3 - 2HOLE
ALL DIMENSION ARE IN M.M.
UNSPECIFIED CORNER RADIUS:0.40

TOL. AS PER BS EN 755-9:2008
UNLESS SPECIFIED

TWIST = ±1/4°/300 M.M./M.
STRAIGHTNESS = 1.50 M.M./MTR.
ANGULARITY = ±1.5°

INDO ALUSYS INDUSTRIES LIMITED BHIWADI RAJASTHAN - 301019

PARTY SAMPLE & DRG.		SAMPLE		PARTY NAME M/S HARMONY SYSTEM			REF:- AS PER SAMPLE Dt.-26.11.11		
				DRAWN	DHARMVIR	16.12.11	AREA	77.31	MM ²
				CHECKED	<i>SB</i>	19.3.13	WEIGHT	0.209	KG/M.
				APPROVED	<i>SB</i>	19.3.13	WT. RANGE	-----	Kg/12
				SCALE	1:1,3:1&6:1	DATE	ALLOY	6063-T6	
OO	(REF.)			CRITICAL DIM. *			MAL NO	12651	
REV. STATUS	REV. NO.	DESCRIPTION	SIGN DATE	PERIMETER	INT.		SEC.NO.	D-5817	
		REVISION			EXT.	130.46			