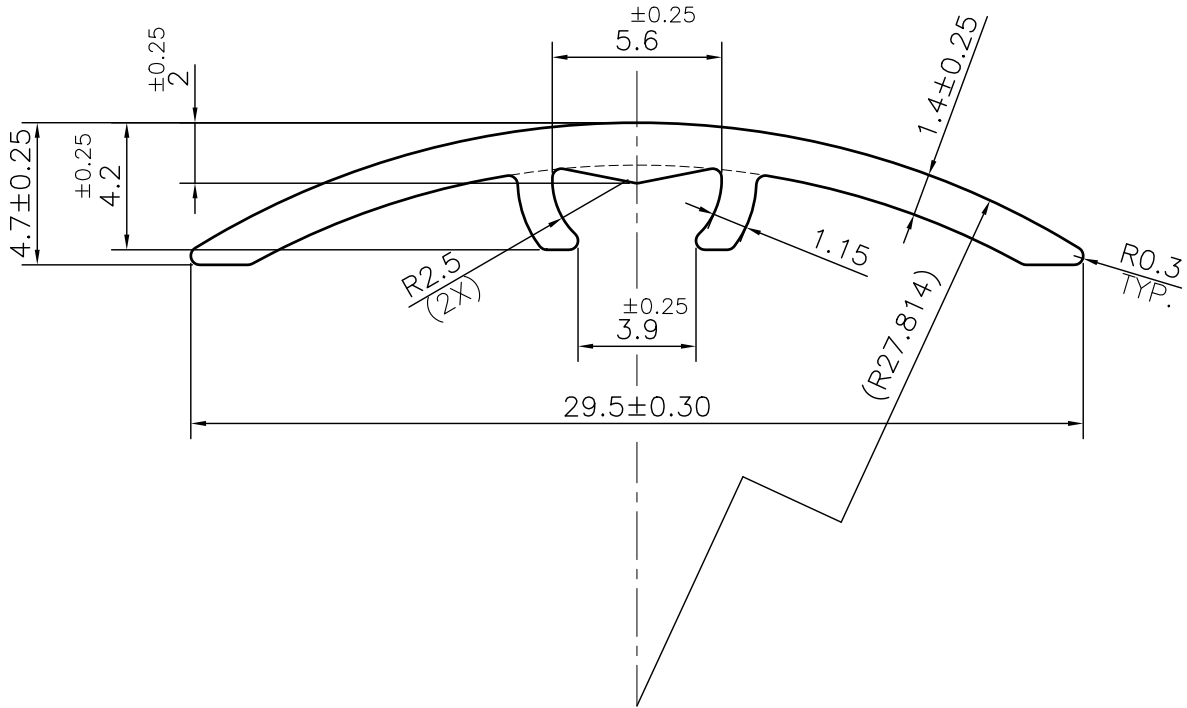


MAL NO-14757

D6336



SCALE 1:1



ROUND OFF ALL SHARP CORNERS WITH 0.30 mm.

1. STRAIGHTNESS= 1.7mm/M
2. TWIST= 1.7mm/M
3. ANGULARITY=  $\pm 2^\circ$
4. FLATNESS= 0.007xWIDTH



SYMBOL OF QUALITY  
AN ISO 9001 COMPANY

**JINDAL ALUMINIUM LTD.**  
BHIWADI-301019 (INDIA)

|                      | NAME     | DATE        |
|----------------------|----------|-------------|
| DRAWN                | ASHUTOSH | 14-09-2023  |
| CHECKED              |          |             |
| APPROVED             |          |             |
| SCALE                |          | 4:1         |
| AREA mm <sup>2</sup> |          | 49.419      |
| PERIMETER mm.        |          | 72.74       |
| WEIGHT kg/m          |          | 0.133       |
| DRAWING No.          |          | SECTION No. |
| MAL NO-14757         |          | -           |
| D6336                |          | D6336       |

1. ALL DIMENSIONS ARE IN mm.
2. ROUND OFF ALL SHARP CORNERS WITH 0.40 mm.
3. TOLERANCES WILL BE AS PER BS:EN-755-9 , UNLESS OTHERWISE SPECIFIED

|                     |                   |                     |
|---------------------|-------------------|---------------------|
| PARTY'S NAME        | PERFECT SOLUTION  |                     |
| PARTY'S DRAWING No. | AS PER DRAWING    |                     |
| ALLOY & TEMPER      | 6063 T6           | PRODUCT CODE:-051   |
|                     |                   | HSN CODE:- 76042990 |
| DESCRIPTION         | FURNITURE SECTION |                     |