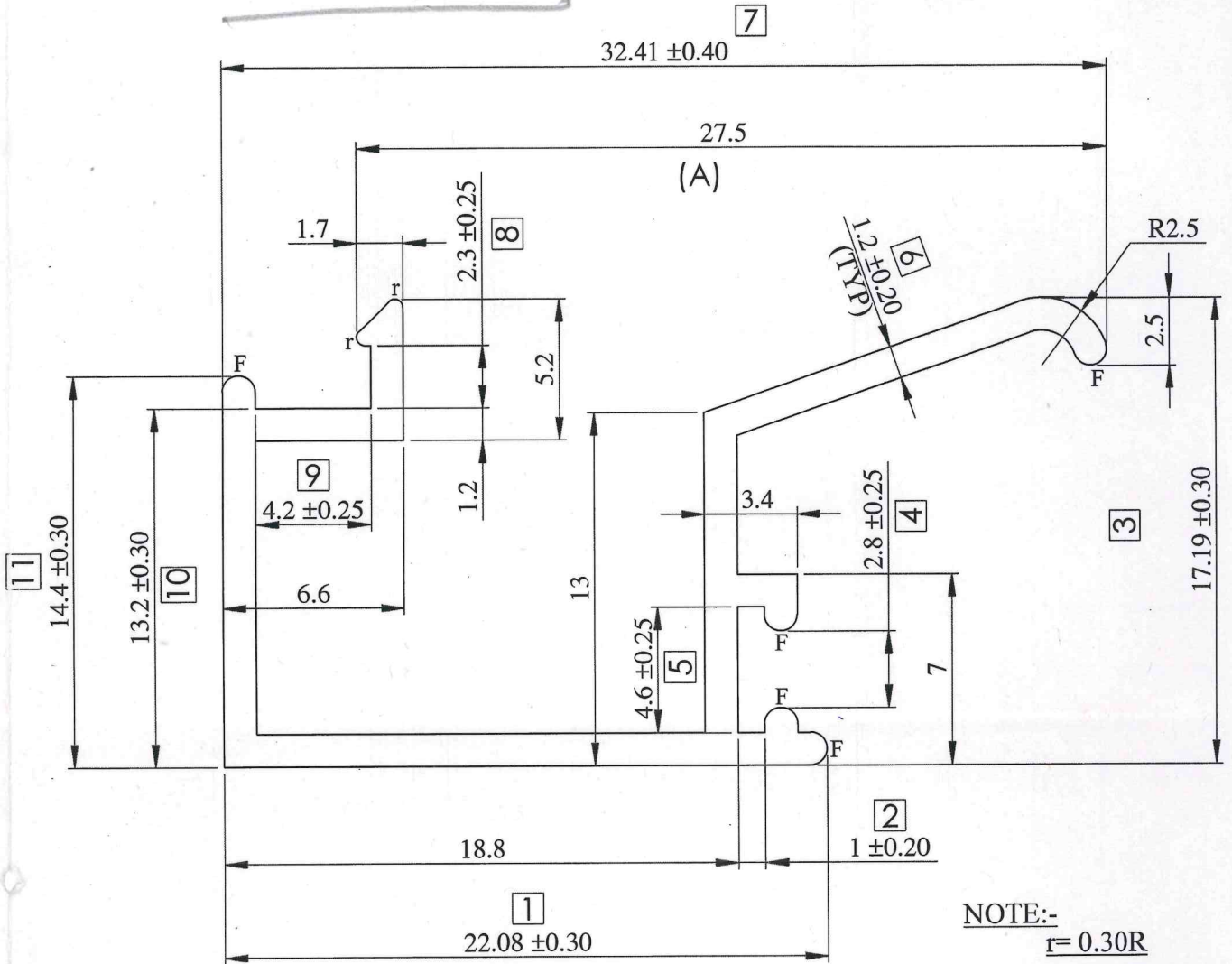
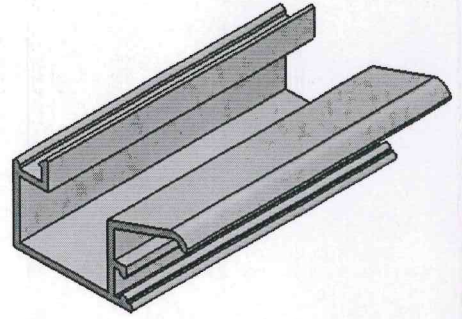


SGU GLASS BEADING
SIMILAR



NOTE:-
r = 0.30R
F = Full Radius

PLEASE SPECIFY THE EXPOSED SURFACE

LOCATION: -P2 - 4HOLE
ALL DIMENSION ARE IN mm.
UNSPECIFIED CORNER RADIUS: 0.40

TOL. AS PER BS EN 755-9:2008
UNLESS SPECIFIED

TWIST = ± 1/4°/300 M.M./M.
FLATNESS = WIDTH X 0.005mm.
STRAIGHTNESS = 1.50 M.M./MTR.
ANGULARITY = ± 1.5°

INDO ALUSYS INDUSTRIES LIMITED BHIWADI RAJASTHAN - 301019

PARTY SAMPLE & DRG. 2856		PARTY NAME M/S AMIT BUILDWELL (P) LTD.			REF: - AS PER IOM Dt.-19.10.15		
			DRAWN	DHARMVIR	23.10.15	AREA	89.83 MM ²
			CHECKED			WEIGHT	0.243 KG/M.
			APPROVED			WT. RANGE	----- Kg/12'
	(A)	ADD DIM. 27.5mm.	SCALE	1:1 & 4:1	DATE	ALLOY	6063-T6
00	(REF.)	AS PER DISC. WITH RPJ DT. 18.1.20	CRITICAL DIM. *			MAL NO	15184
REV. STATUS	REV. NO.	DESCRIPTION	SIGN DATE	PERIMETER	INT.	SEC. NO.	D-6541
A4		REVISION			EXT.	150.82	