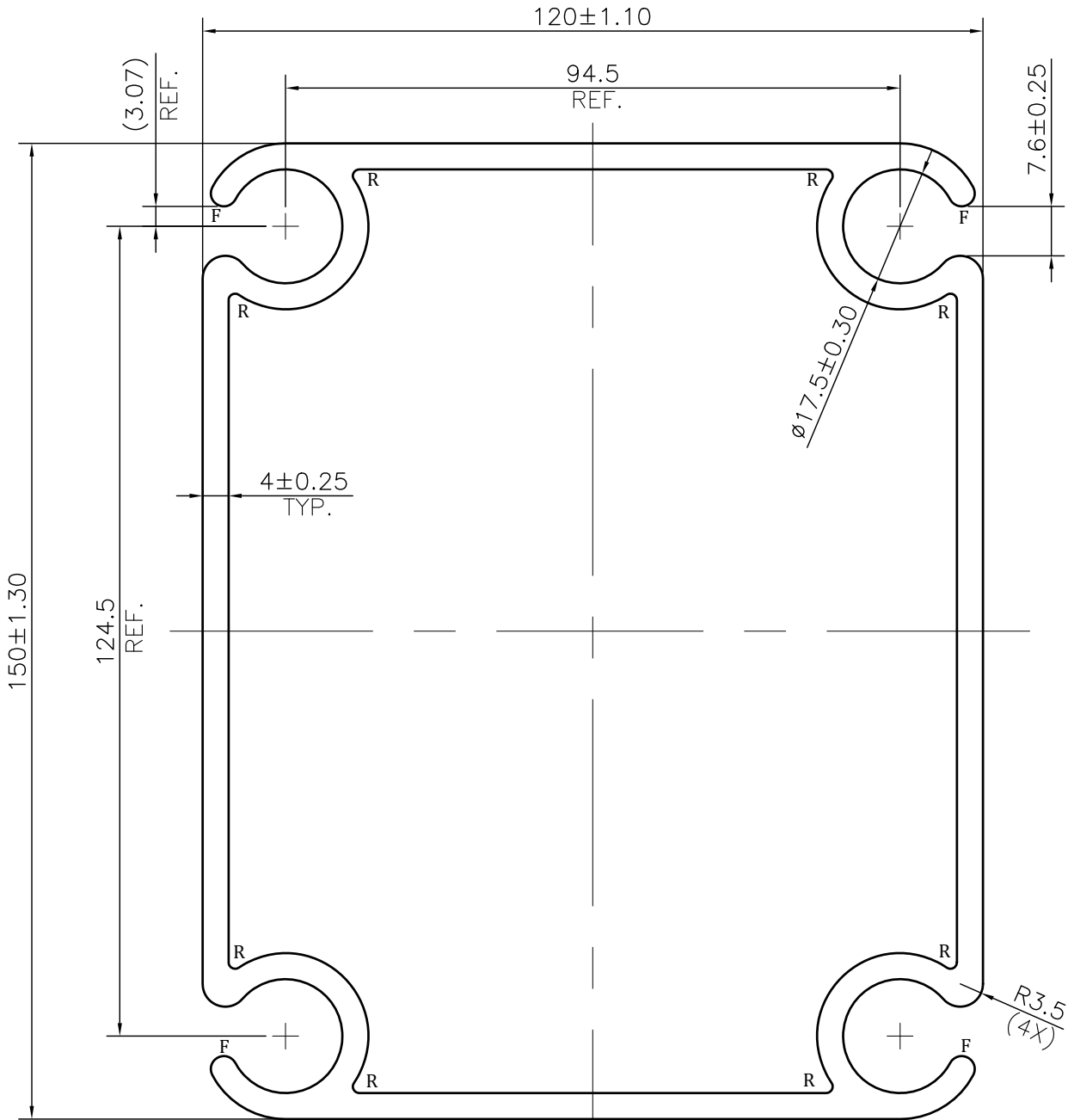


MAL NO-14583

D6545



NOTE:-
R= 1.0 RADIUS (8 PLACES)
F= FULL RADIUS (4 PLACES)



SYMBOL OF QUALITY
 AN ISO 9001 COMPANY

JINDAL ALUMINIUM LTD.
 BHIWADI-301019 (INDIA)

	NAME	DATE
DRAWN	ASHUTOSH	12-10-2023
CHECKED		
APPROVED		
SCALE		1:1
AREA mm ²		2483.531
PERIMETER mm.		697.751
WEIGHT kg/m		6.706
DRAWING No.	SECTION No.	
MAL NO-14583	-	
D6545	D6545	

- ALL DIMENSIONS ARE IN mm.
- ROUND OFF ALL SHARP CORNERS WITH 0.40 mm.
- TOLERANCES WILL BE AS PER BS:EN-755-9 , UNLESS OTHERWISE SPECIFIED

PARTY'S NAME	FAB INDIA	
PARTY'S DRAWING No.	AS PER DRAWING	
ALLOY & TEMPER	6063 T6	PRODUCT CODE:-047
		HSN CODE:- 76042100
DESCRIPTION	TENT HOUSE SECTION	