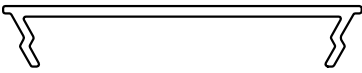
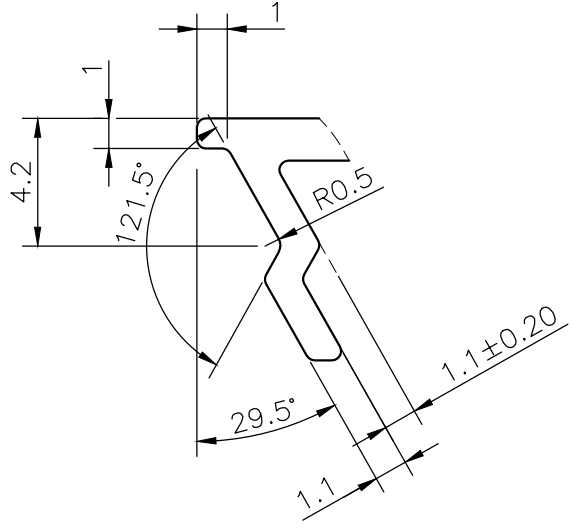
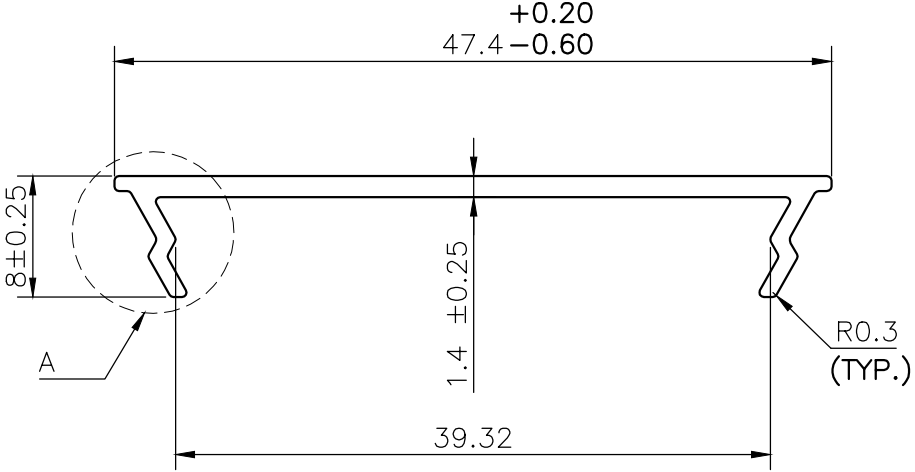



MAL NO. 15613
D6696



SCALE 1:1



DETAIL A  
SCALE 4:1

 SYMBOL OF QUALITY AN ISO 9001 COMPANY	<b>JINDAL ALUMINIUM LTD.</b> <i>BHIWADI-301019 (INDIA)</i>		NAME	DATE
		DRAWN	ASHUTOSH	17-10-2022
1. ALL DIMENSIONS ARE IN mm. 2. ROUND OFF ALL SHARP CORNERS WITH 0.40 mm. 3. TOLERANCES WILL BE AS PER BS:EN-755-9 , UNLESS OTHERWISE SPECIFIED		CHECKED	S.K.SHARMA	14-11-2022
		APPROVED	J.N. RAI	14-11-2022
PARTY'S NAME M/s. GREEN FACADE – GHAZIABAD		SCALE		2:1
		AREA mm <sup>2</sup>		82.06
PARTY'S DRAWING No. AS PER DRAWING (MAL 15613)		PERIMETER mm.		125.04
		WEIGHT kg/m		0.222
ALLOY & TEMPER 6063 T6		DRAWING No.		SECTION No.
		MAL NO. 15613		
DESCRIPTION CURTAIN WALL SECTION		D6696		D6696