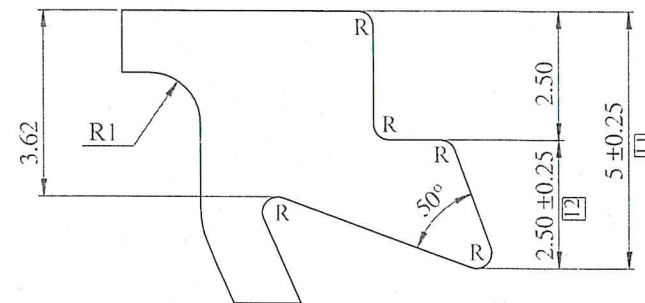
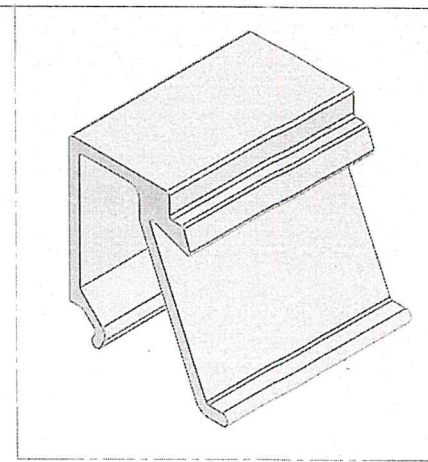
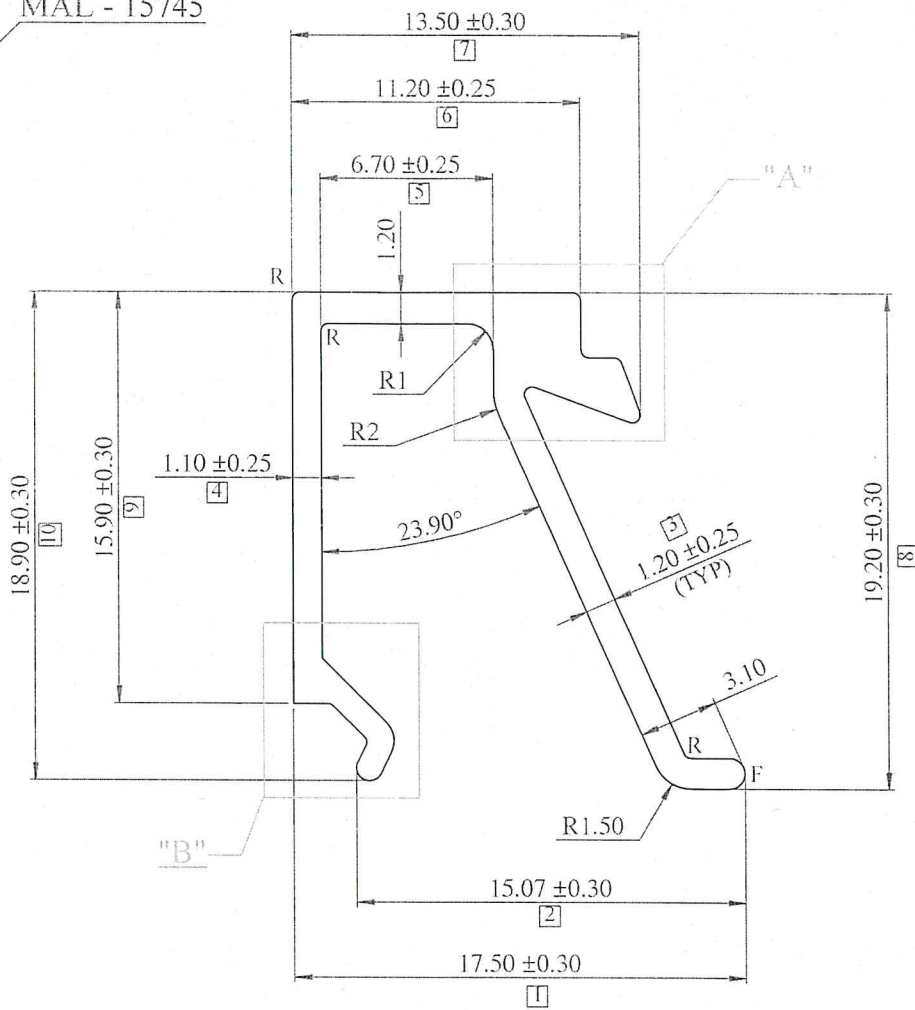
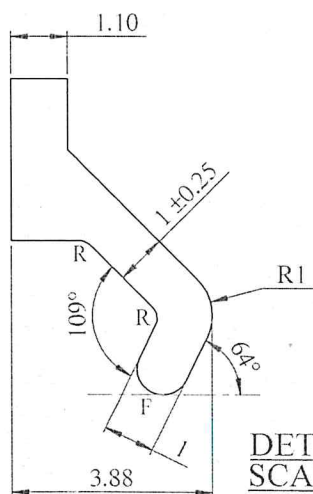


MAL - 15745



DETAIL "A"
SCALE 10 : 1



DETAIL "B"
SCALE 10 : 1

NOTE:-

R = 0.30R
F = Full Radius

LOCATION:- P2-HOLE
ALL DIMENSION ARE IN mm.
UNSPECIFIED CORNER RADIUS: 0.40

PLEASE SPECIFY THE EXPOSED SURFACE

TOL. AS PER IS EN 755-9:2008
UNLESS SPECIFIED

TWIST = 1.4° 300MM.
FLATNESS = WIDTH X 0.005mm.
STRAIGHTNESS = 1.50MM MTR.
ANGULARITY = 1.5°

INDO ALUSYS INDUSTRIES LIMITED BHIWADI RAJASTHAN - 301019									
PART NAME & QTY.	SAMPLE (11)	PARTY NAME	M/S PERFECT SOLUTIONS	REF:- AS PER IOM Dt.-27.09.16					
				DRAWN	VIVEK YADAV	08.10.16	AREA	70.41	MM ²
				CHECKED	<i>[Signature]</i>		WEIGHT	0.190	KG/M.
				APPROVED	<i>[Signature]</i>	11.11.16	WT. RANGE	-----	KG/1.2
				SCALE	5:1 & 10:1	DATE	ALLOY	6063-T6	
00	(REF)			CRITICAL DIM. *			MAL NO	15746	
REV. STATUS	REV. NO.	DESCRIPTION	SIGN. DATE	PERIMETER	INT.	EXT.	SEC.NO.	D-6803	
A3		R.				109.36			