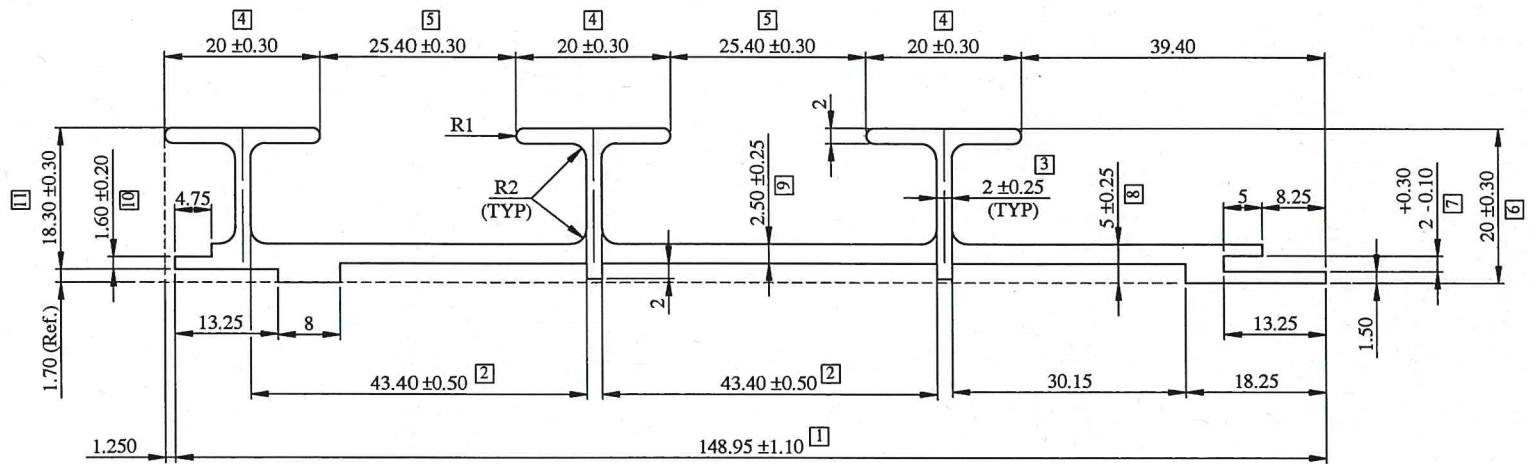


ASSEMBLY
SCALE 1:1



LOCATION:-P1-1H
ALL DIMENSION ARE IN mm.
UNSPECIFIED CORNER RADIUS:0.40

PLEASE SPECIFY THE EXPOSED SURFACE

TOL. AS PER IS : 3965-1981
UNLESS SPECIFIED

TWIST = 1.70 M.M./MTR.
FLATNESS = ±1.07 M.M.
STRAIGHTNESS = 1.70 M.M./MTR.
ANGULARITY = ±2°

INDO ALUSYS INDUSTRIES LIMITED BHIWADI RAJASTHAN - 301019

PARTY SAMPLE & DRG.		SKETCH	PARTY NAME M/S R.K.METAL ART			REF:- As per party disc.in plant on - 23.01.18		
			DRAWN	VIVEK YADAV	23.01.18	AREA	615.37	MM ²
			CHECKED	[Signature]		WEIGHT	1.662	KG/M.
			APPROVED	[Signature]	23/01/18	WT. RANGE	-----	Kg/12
			SCALE	3:2	DATE	ALLOY	63400	WP
00	(REF.)		CRITICAL DIM. *			MAL NO	16855	
REV. STATUS	REV. NO.	DESCRIPTION	SIGN DATE	PERIMETER	INT.	-----	SEC.NO.	D-7113
A3		REVISION			EXT.	513.45		