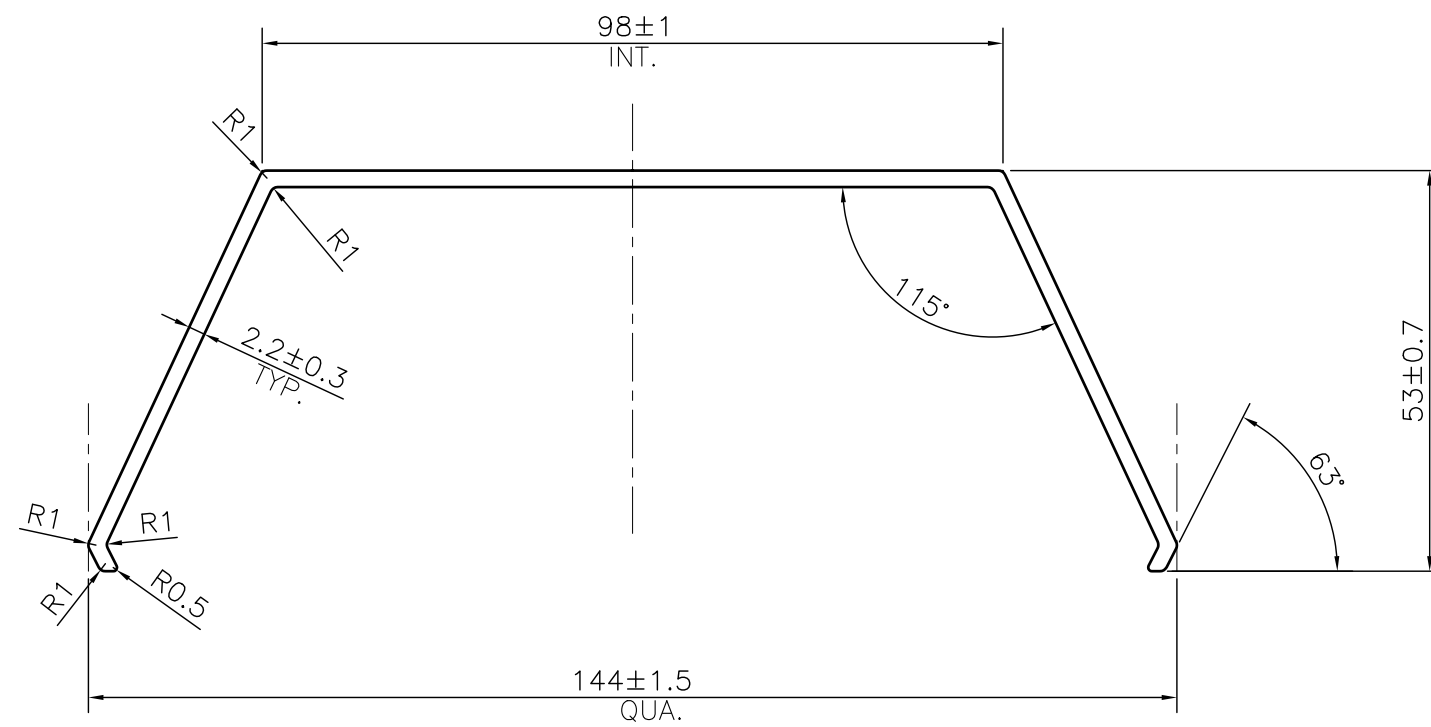



MAL NO-16962

D7123



 SYMBOL OF QUALITY AN ISO 9001 COMPANY	JINDAL ALUMINIUM LTD. BHIWADI-301019 (INDIA)		DRAWN	S.K.SHARMA	18-09-2023
			CHECKED		
1. ALL DIMENSIONS ARE IN mm. 2. ROUND OFF ALL SHARP CORNERS WITH 0.40 mm. 3. TOLERANCES WILL BE AS PER IS:3965-1981 , UNLESS OTHERWISE SPECIFIED			SCALE	1:1	
			AREA mm ²	464.341	
PARTY'S NAME DAN ALUFORM CONSULTANCY			PERIMETER mm.	425.15	
			WEIGHT kg/m	1.254	
PARTY'S DRAWING No. AS PER DRAWING			DRAWING No.	SECTION No.	
			MAL NO-16962	-	
ALLOY & TEMPER 6005 T6			D7123	D7123	
			PRODUCT CODE:-029		
DESCRIPTION STRUCTURAL MISC. SECTION			HSN CODE:- 76042990		