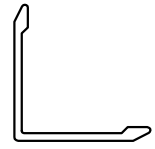
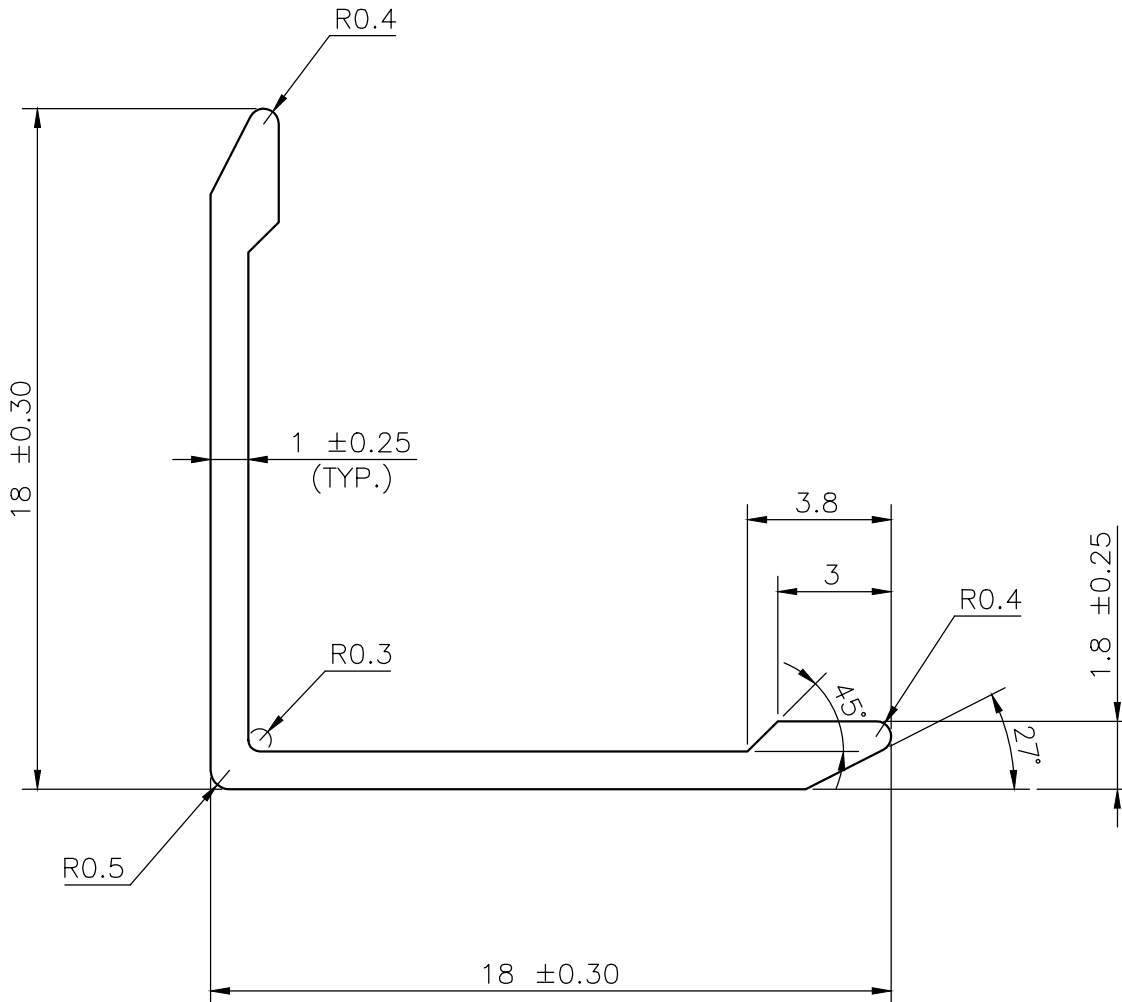


IAL-D-7201

D7201



SCALE 1:1

TWIST= $\pm 1/4^\circ/300\text{M.M./M.}$ FLATNESS= $\text{WIDTH} \times 0.005\text{mm.}$ STRAIGHTNESS= 1.5 M.M./MTR. ANGULARITY= $\pm 1.5^\circ$ 

SYMBOL OF QUALITY
AN ISO 9001 COMPANY

JINDAL ALUMINIUM LTD.
BANGALORE-560073 (INDIA)

	NAME	DATE
DRAWN	ASHUTOSH	24-06-2022
CHECKED		
APPROVED		

1. ALL DIMENSIONS ARE IN mm.
2. ROUND OFF ALL SHARP CORNERS WITH 0.40 mm.
3. TOLERANCES WILL BE AS PER BS:EN-755-9 , UNLESS OTHERWISE SPECIFIED

SCALE	1:1&5:1
AREA mm ²	37.70
PERIMETER mm.	71.72
WEIGHT kg/m	0.102
DRAWING No.	SECTION No.
IAL-D-7201	
D7201	D7201

PARTY'S NAME	M/S. PERFECT SOLUTIONS
PARTY'S DRAWING No.	AS PER DRAWING
ALLOY & TEMPER	6063-T6
DESCRIPTION	MODULAR SECTION