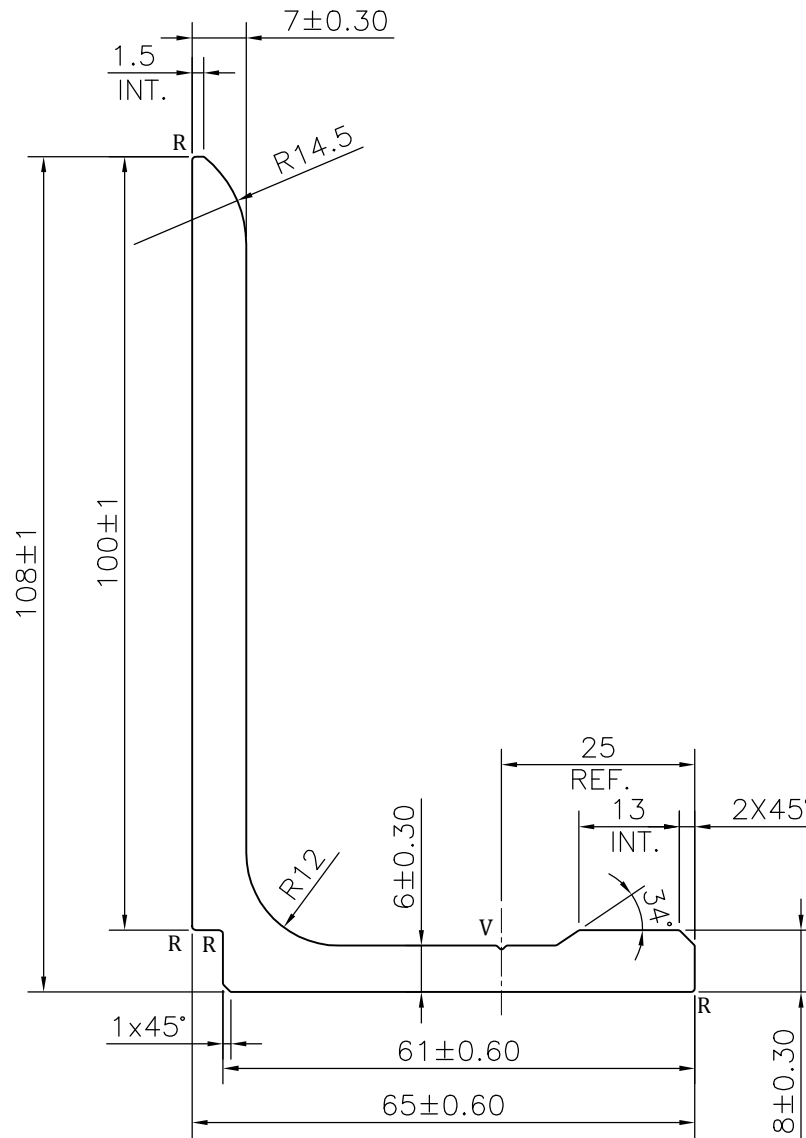


MAL NO. 17161

D7243

**NOTE:-****R= 0.5 RADIUS (4 PLACES)****V= 0.5x90° V-GROOVE (1 PLACE)**

SYMBOL OF QUALITY  
AN ISO 9001 COMPANY

**JINDAL ALUMINIUM LTD.**  
*BHIWADI-301019 (INDIA)*

	NAME	DATE
DRAWN	AMIT	18-09-2023
CHECKED		
APPROVED		
SCALE		1:1
AREA mm <sup>2</sup>		1113.915
PERIMETER mm.		337.303
WEIGHT kg/m		3.008
DRAWING No.		SECTION No.
MAL NO. 17161		-
D7243		D7243

1. ALL DIMENSIONS ARE IN mm.
2. ROUND OFF ALL SHARP CORNERS WITH 0.40 mm.
3. TOLERANCES WILL BE AS PER IS: 3965-1981 , UNLESS OTHERWISE SPECIFIED

PARTY'S NAME UNIMAX INTERNATIONAL

PARTY'S DRAWING No. AS PER DRAWING

ALLOY & TEMPER 6061 T6 PRODUCT CODE:-029  
HSN CODE:- 76042990

DESCRIPTION STRUCTURAL MISC. SECTION