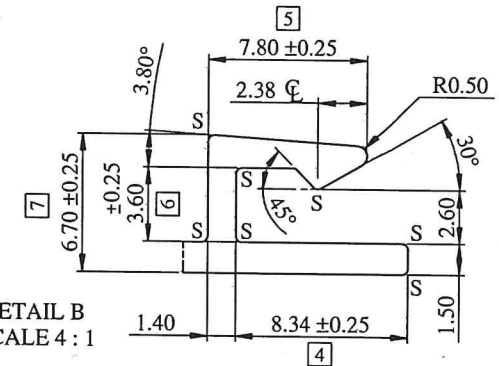
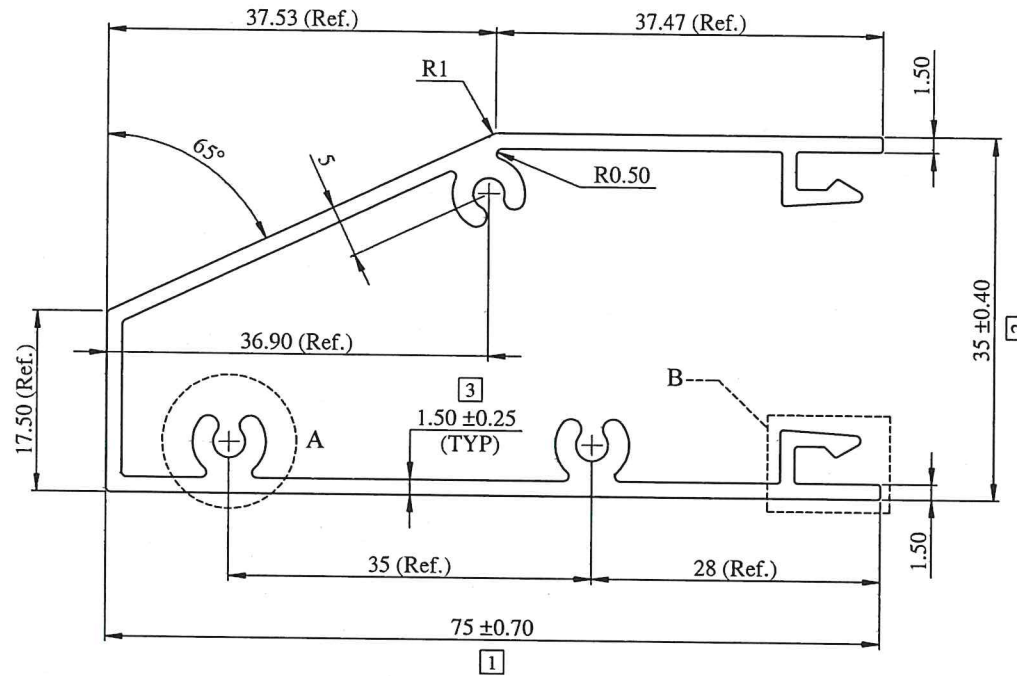
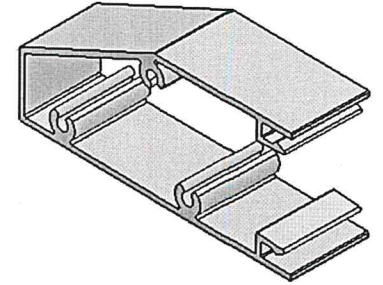
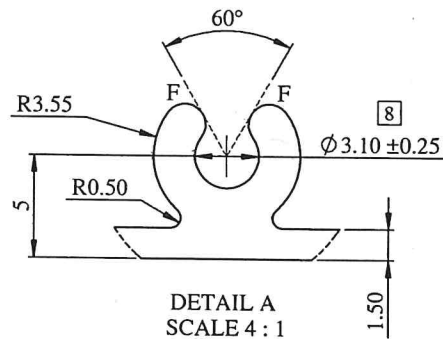


MAL-17066

ASSEMBLY
SCALE 1:1



DETAIL B
SCALE 4:1



DETAIL A
SCALE 4:1

NOTE:-

S = 0.30R

F = Full Radius

TOLERANCE ON CUT LENGTH = ± 5 mm

PLEASE SPECIFY THE EXPOSED SURFACE

LOCATION:- P2-HOLE

ALL DIMENSION ARE IN mm.

UNSPECIFIED CORNER RADIUS: 0.40

TOL. AS PER BS EN 755-9:2008

UNLESS SPECIFIED

TWIST = ± 1/4°/300 M.M.

FLATNESS = WIDTH X 0.005mm.

STRAIGHTNESS = 1.50 M.M./MTR.

ANGULARITY = ± 1.5°

INDO ALUSYS INDUSTRIES LIMITED BHIWADI RAJASTHAN - 301019									
PARTY SAMPLE & DRG.		DRAWING		PARTY NAME		M/S GREEN FACADE		REF:- AS PER EMAIL DT.- 30.03.18	
				DRAWN	VIVEK YADAV	02.04.18	AREA	366.61	MM ²
				CHECKED	[Signature]		WEIGHT	0.990	KG/M.
				APPROVED	[Signature]		WT. RANGE	-----	Kg/12
				SCALE	2:1	DATE	ALLOY	6063-T6	
00	(REF.)			CRITICAL DIM. *			MAL NO	17065	
REV. STATUS	REV. NO.	DESCRIPTION		SIGN DATE	PERMETER	INT.	SEC.NO.	D-7248	
43		REVISION				EXT.	445.27		