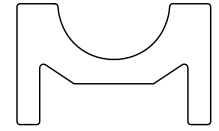
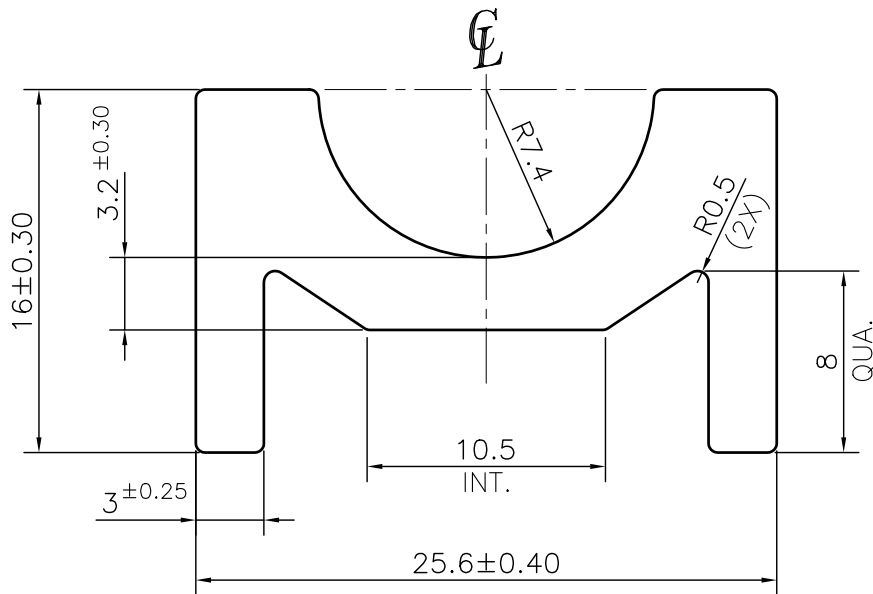


MAL NO.-17413

D7324



SCALE 1:1



1. STRAIGHTNESS= 1.7mm/M
2. TWIST= 1.7mm/M
3. ANGULARITY=  $\pm 2^\circ$
4. FLATNESS= 0.008xWIDTH



SYMBOL OF QUALITY  
AN ISO 9001 COMPANY

**JINDAL ALUMINIUM LTD.**  
BHIWADI-301019 (INDIA)

	NAME	DATE
DRAWN	ASHUTOSH	18-04-2024
CHECKED		
APPROVED		
SCALE		3:1
AREA mm <sup>2</sup>		204.059
PERIMETER mm.		107.41
WEIGHT kg/m		0.551
DRAWING No.		SECTION No.
MAL NO.-17413		-
D7324		D7324

1. ALL DIMENSIONS ARE IN mm.
2. ROUND OFF ALL SHARP CORNERS WITH 0.40 mm.
3. TOLERANCES WILL BE AS PER IS: 6477-1983 , UNLESS OTHERWISE SPECIFIED

PARTY'S NAME	KOHLI ALUMINIUM	
PARTY'S DRAWING No.	AS PER DRAWING	
ALLOY & TEMPER	63400 WP	PRODUCT CODE:-029
		HSN CODE:- 76042990
DESCRIPTION	STRUCTURAL MISC. SECTION	