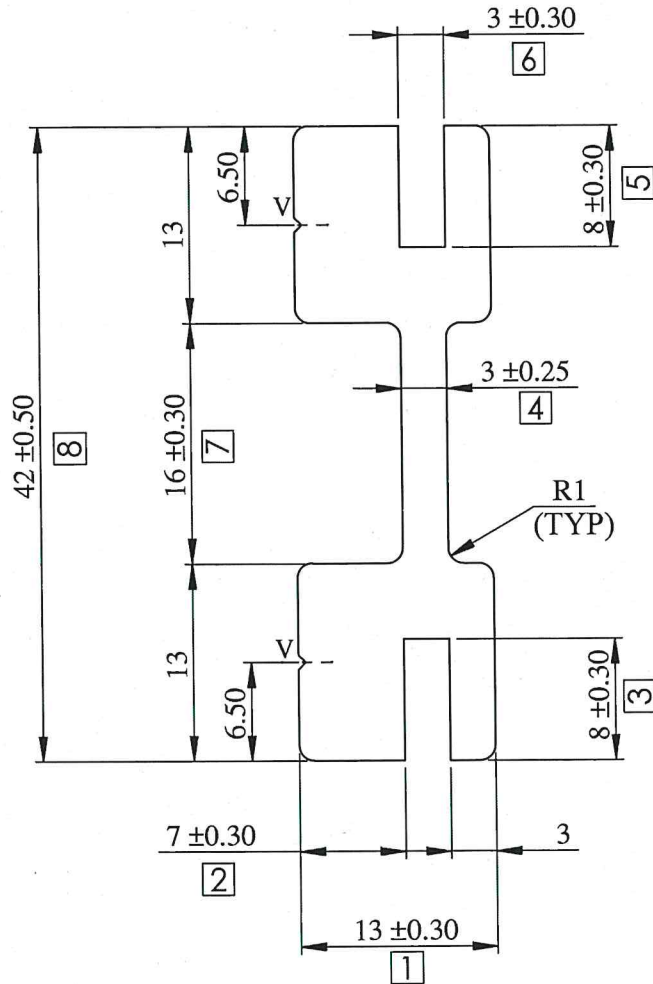
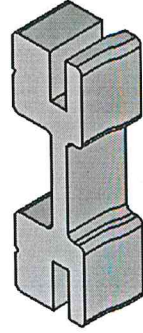


ACTUAL SIZE



NOTE :-

$V = 0.5 \times 1.0 \times 90^\circ$

LOCATION:- P1 - 2HOLE
 ALL DIMENSION ARE IN mm.
 UNSPECIFIED CORNER RADIUS:0.40

PLEASE SPECIFY THE EXPOSED SURFACE

TOL. AS PER BS EN 755-9:2008
 UNLESS SPECIFIED

TWIST = $\pm 1/4^\circ/300$ M.M.
 FLATNESS = WIDTH X 0.005mm.
 STRAIGHTNESS = 1.50 M.M./MTR.
 ANGULARITY = $\pm 1.5^\circ$

JINDAL ALUMINIUM LTD. BHIWADI-301019

PARTY SAMPLE & DRG.		DRG	PARTY NAME M/s COLORJET			REF:- AS PER EMAIL Dt.-06.02.19		
			DRAWN	SONU	06.02.19	AREA	336.64	MM ²
			CHECKED	<i>Jewel</i>	16.3.19	WEIGHT	0.909	KG/M.
			APPROVED			WT. RANGE	-----	Kg/12
			SCALE	1:1 & 2:1	DATE	ALLOY	6063-T6	
00	(REF.)		CRITICAL DIM. *			MAL NO	17570	
REV. STATUS	REV. NO.	DESCRIPTION	SIGN DATE	PERIMETER	INT.	SEC.NO.	D-7362
A4		REVISION			EXT.	157.68		