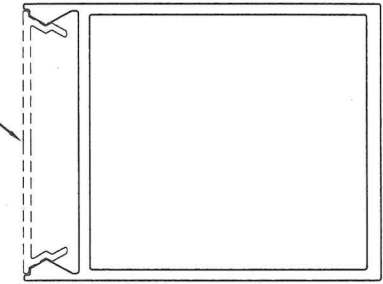


P-JAL-B-051

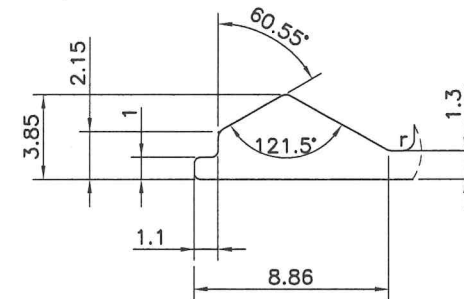
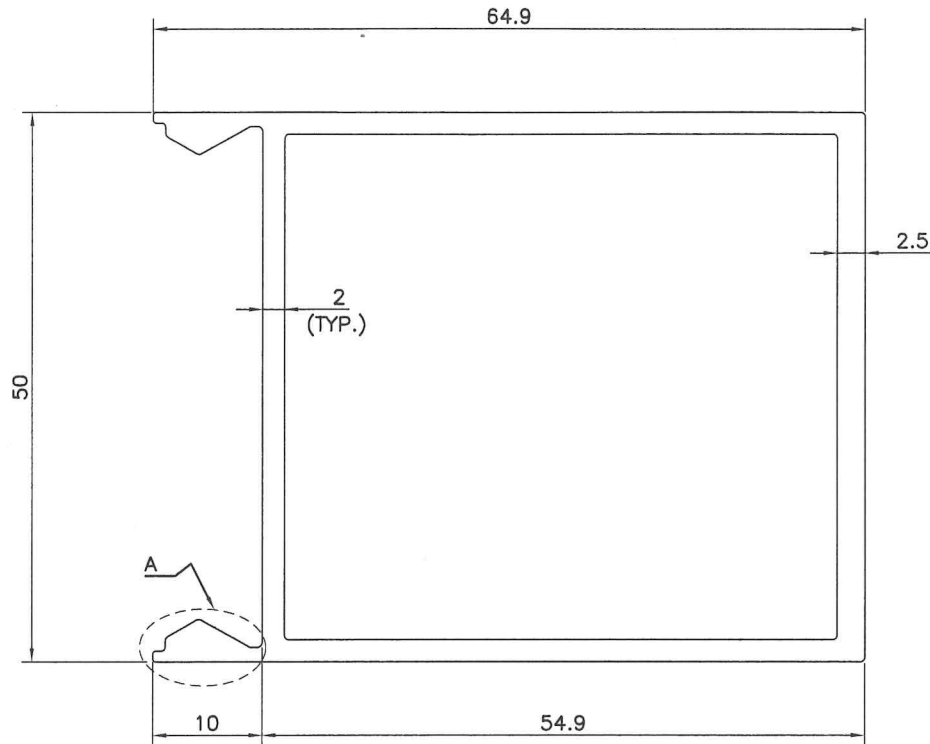
-

D-7532

MAL NO 15613




SCALE 1:1



DETAIL A
SCALE 4:1

NOTE:-
r = 0.50R

 SYMBOL OF QUALITY AN ISO 9001 COMPANY	JINDAL ALUMINIUM LTD. BANGALORE-560073 (INDIA)		NAME	DATE
			DRAWN	15-10-2022
1. ALL DIMENSIONS ARE IN mm. 2. ROUND OFF ALL SHARP CORNERS WITH 0.40 mm. 3. TOLERANCES WILL BE AS PER BS:EN-755-9 , UNLESS OTHERWISE SPECIFIED			CHECKED	14-10-22
			APPROVED	14-10-22
PARTY'S NAME M/s. GREEN FACADE - GHAZIABAD			SCALE	1:1&2:1
			AREA mm ²	474.79
PARTY'S DRAWING No. AS PER EMAIL (14.10.2022)			PERIMETER mm.	252.03
			WEIGHT kg/m	1.282
ALLOY & TEMPER 6063-T6			DRAWING No.	SECTION No.
			P-JAL-B-051	D-7532
DESCRIPTION -				