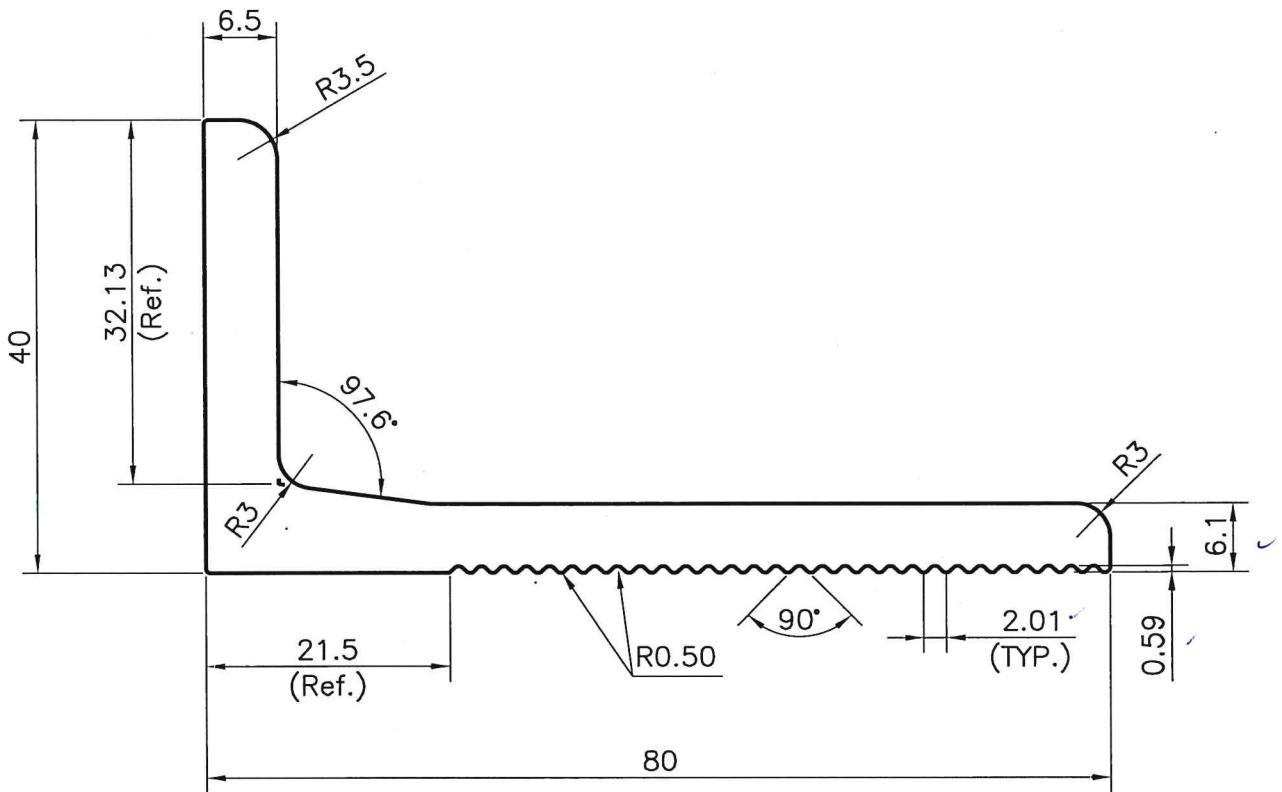
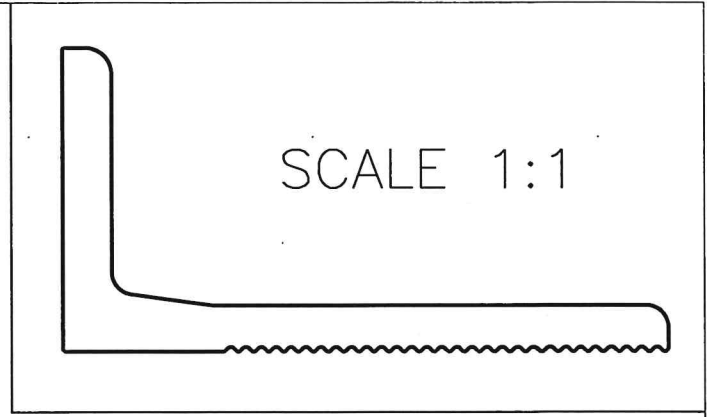


P-JAL-B-055-1

D-7535




ISSUE-2:-

- ① Date: 16.02.2023-
Drawing has been Revised

NOTE:-

- Ⓐ Drawing has been revised
as per customer CAD Drawing

 SYMBOL OF QUALITY AN ISO 9001 COMPANY	JINDAL ALUMINIUM LTD. BHIWADI-301019 (INDIA)	NAME		DATE
		DRAWN	ASHUTOSH	17-11-2022
1. ALL DIMENSIONS ARE IN mm. 2. ROUND OFF ALL SHARP CORNERS WITH 0.40 mm. 3. TOLERANCES WILL BE AS PER BS:EN-755-9 , UNLESS OTHERWISE SPECIFIED		CHECKED	<i>[Signature]</i>	24-2-23
		APPROVED	<i>[Signature]</i>	24/04/23
PARTY'S NAME M/s. ALTOS ENGINEERS		SCALE		1:1&1.5:1
		AREA mm ²		699.68
PARTY'S DRAWING No. AS PER DRAWING (Q00182)		PERIMETER mm.		245.74
		WEIGHT kg/m		1.890
ALLOY & TEMPER 6005-T6		DRAWING No.		SECTION No.
		P-JAL-B-055-1		D-7535
DESCRIPTION ---				ISSUE-2