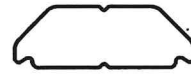
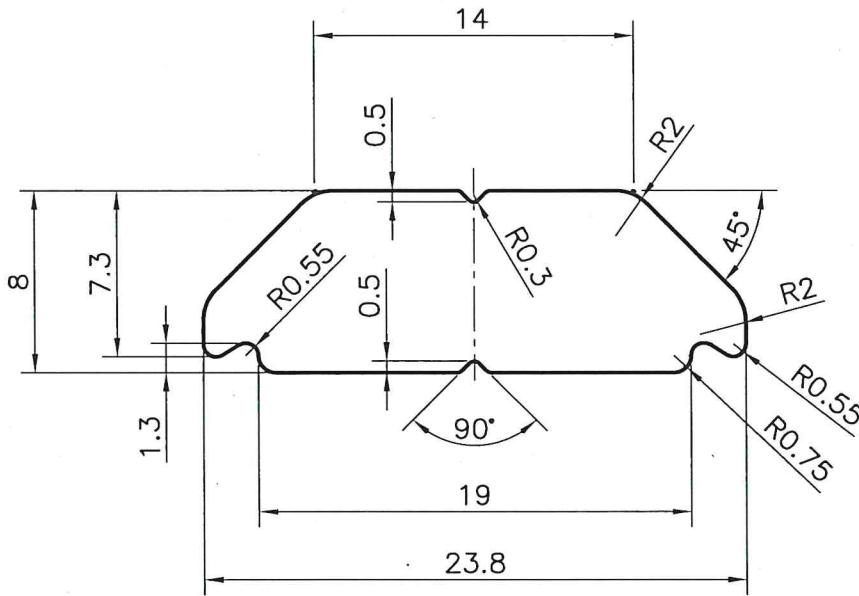


P-JAL-B-057-1

D-7537




SCALE 1:1



NOTE:-

(A) Drawing has been revised as per customer CAD Drawing

 SYMBOL OF QUALITY AN ISO 9001 COMPANY	JINDAL ALUMINIUM LTD. BHIWADI-301019 (INDIA)	NAME	DATE
		DRAWN	ASHUTOSH 17-11-2022
1. ALL DIMENSIONS ARE IN mm. 2. ROUND OFF ALL SHARP CORNERS WITH 0.40 mm. 3. TOLERANCES WILL BE AS PER BS:EN-755-9 , UNLESS OTHERWISE SPECIFIED		CHECKED	<i>funi</i> 3-12-22
		APPROVED	<i>Moh</i> 03.12.22
PARTY'S NAME M/s. ALTOS ENGINEERS		SCALE	1:1&3:1
		AREA mm ²	160.26
PARTY'S DRAWING No. AS PER DRAWING (Q00184)		PERIMETER mm.	58.16
		WEIGHT kg/m	0.433
ALLOY & TEMPER 6005-T6		DRAWING No.	SECTION No.
		P-JAL-B-057-1	D-7537
DESCRIPTION --			