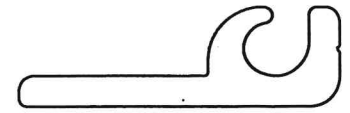
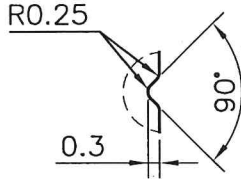


P-JAL-B-059

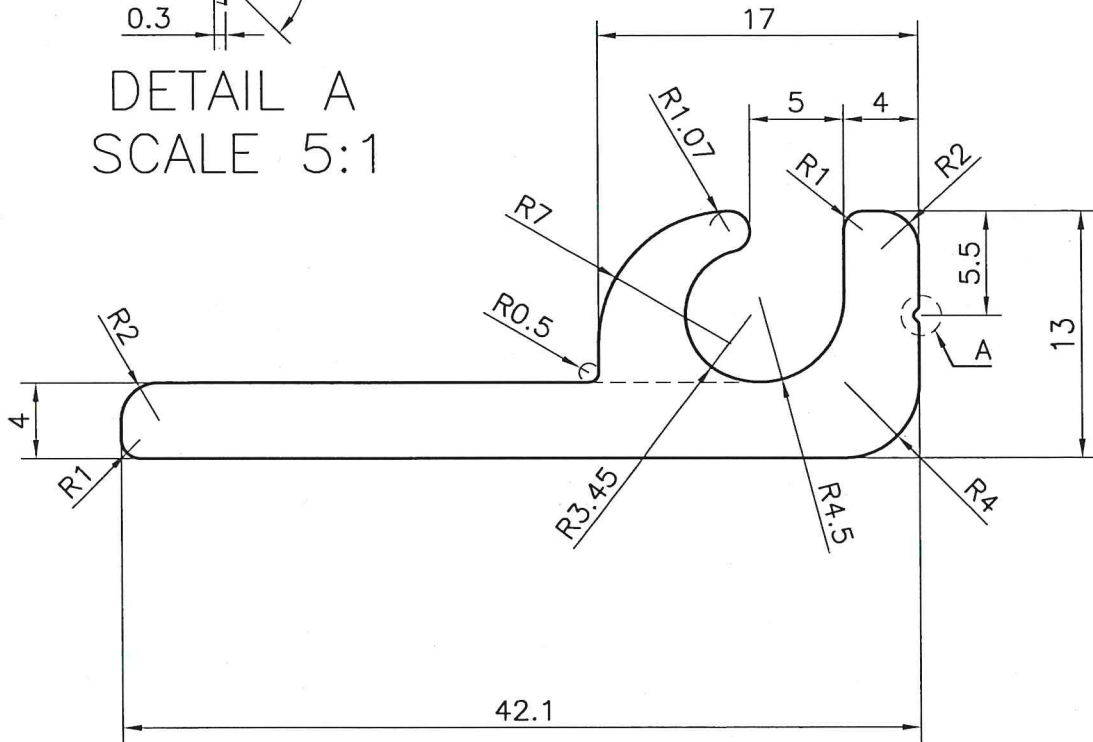
D-7539



SCALE 1:1



DETAIL A  
SCALE 5:1



SYMBOL OF QUALITY  
AN ISO 9001 COMPANY

**JINDAL ALUMINIUM LTD.**  
BHIWADI-301019 (INDIA)

	NAME	DATE
DRAWN	ASHUTOSH	17-11-2022
CHECKED	<i>Jindal</i>	3-12-22
APPROVED	<i>Man</i>	03-12-22

1. ALL DIMENSIONS ARE IN mm.
2. ROUND OFF ALL SHARP CORNERS WITH 0.40 mm.
3. TOLERANCES WILL BE AS PER BS:EN-755-9 , UNLESS OTHERWISE SPECIFIED

SCALE	1:1&2.5:1
AREA mm <sup>2</sup>	245.74
PERIMETER mm.	121.93
WEIGHT kg/m	0.663
DRAWING No.	SECTION No.
P-JAL-B-059	D-7539

PARTY'S NAME	M/s. ALTOS ENGINEERS
PARTY'S DRAWING No.	AS PER DRAWING (Q00186)
ALLOY & TEMPER	6005-T6
DESCRIPTION	--