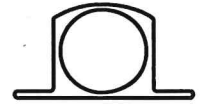
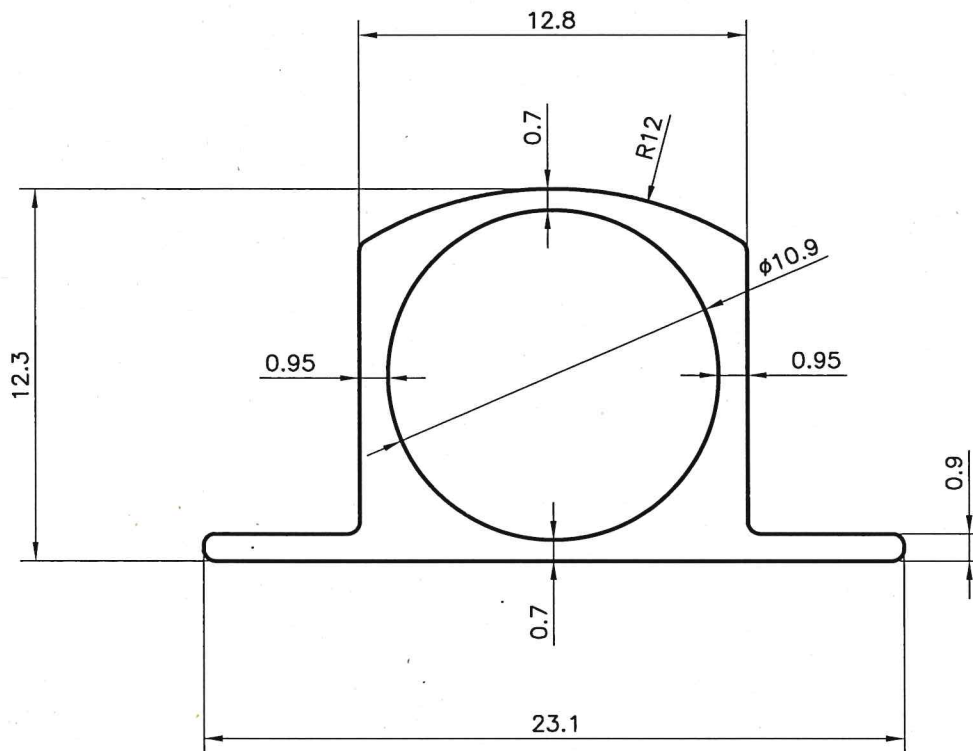



P-JAL-B-069	BEFORE APPROVAL CHECK ALL DIMENSIONS PROPERLY
-	
D-7544	



SCALE 1:1



18/12/22

 SYMBOL OF QUALITY AN ISO 9001 COMPANY	JINDAL ALUMINIUM LTD. BHIWADI-301019 (INDIA)	NAME	DATE
		DRAWN	ASHUTOSH
1. ALL DIMENSIONS ARE IN mm. 2. ROUND OFF ALL SHARP CORNERS WITH 0.40 mm. 3. TOLERANCES WILL BE AS PER BS:EN-755-9 , UNLESS OTHERWISE SPECIFIED		CHECKED	11-1-23
		APPROVED	11-01-23
PARTY'S NAME ALUMINIUM TRADING CO. DELHI		SCALE	1:1&4:1
		AREA mm ²	65.68
PARTY'S DRAWING No. AS PER MAIL (05.12.2022)		PERIMETER mm.	66.69
		WEIGHT kg/m	0.177
ALLOY & TEMPER 6063-T6		DRAWING No.	SECTION No.
		P-JAL-B-069	D-7544
DESCRIPTION -			