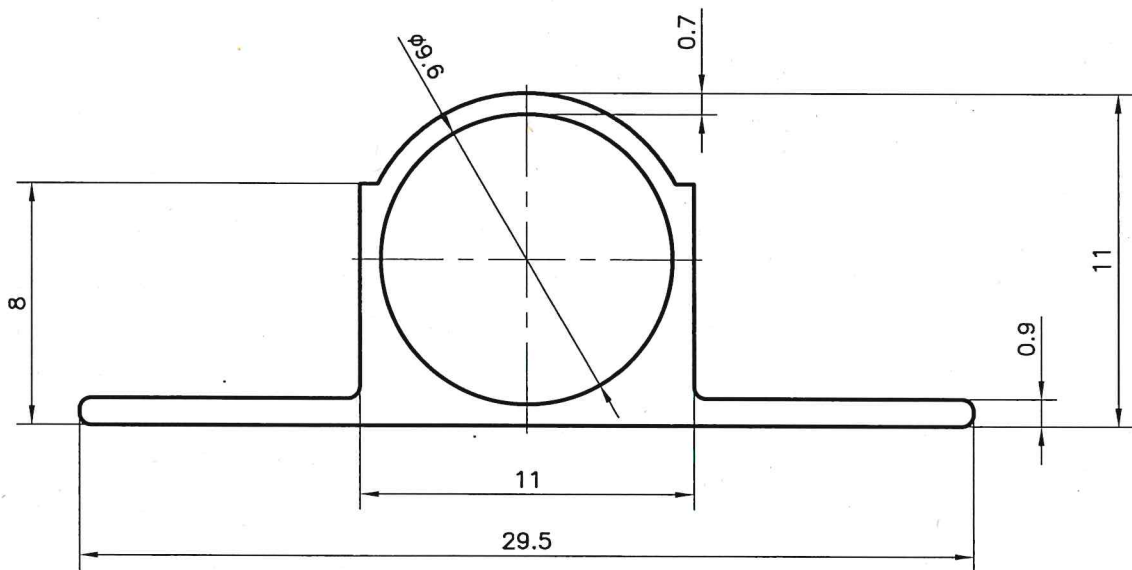
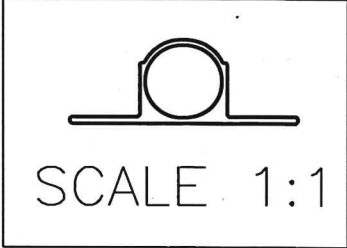



P-JAL-B-072	BEFORE APPROVAL CHECK ALL DIMENSIONS PROPERLY
-	
D-7547	



 SYMBOL OF QUALITY AN ISO 9001 COMPANY	JINDAL ALUMINIUM LTD. BHIWADI-301019 (INDIA)	NAME	DATE
		DRAWN	ASHUTOSH 07-12-2022
		CHECKED	Duni 11-1-23
1. ALL DIMENSIONS ARE IN mm. 2. ROUND OFF ALL SHARP CORNERS WITH 0.40 mm. 3. TOLERANCES WILL BE AS PER BS:EN-755-9 , UNLESS OTHERWISE SPECIFIED		APPROVED	11-01-23
PARTY'S NAME ALUMINIUM TRADING CO. DELHI		SCALE	1:1&4:1
PARTY'S DRAWING No. AS PER DRAWING (6146/L)		AREA mm ²	53.16
ALLOY & TEMPER 6063-T6		PERIMETER mm.	76.0
DESCRIPTION -		WEIGHT kg/m	0.144
		DRAWING No.	SECTION No.
		P-JAL-B-072	D-7547