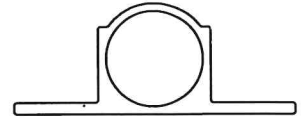
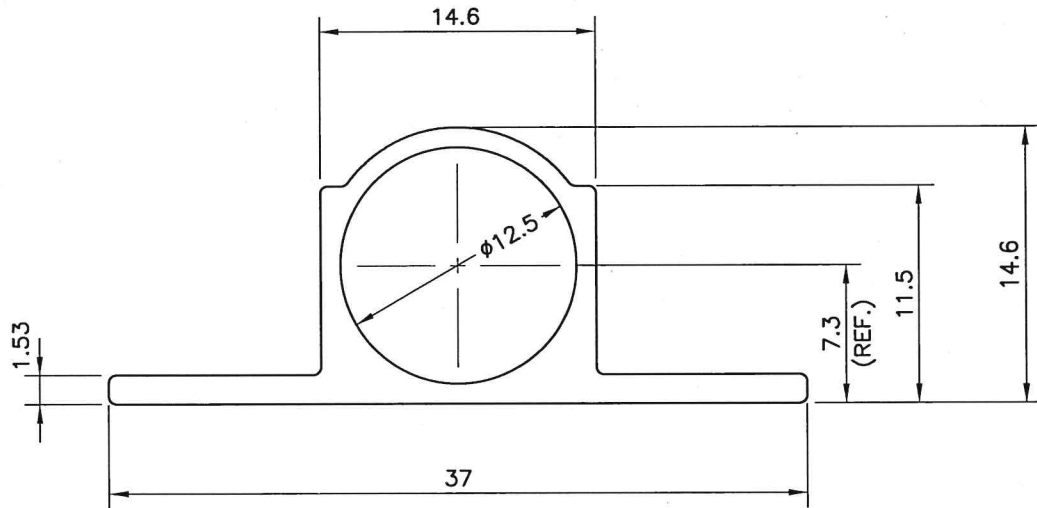


P-JAL-B-093

D-7548



SCALE:- 1:1



SYMBOL OF QUALITY
AN ISO 9001 COMPANY

JINDAL ALUMINIUM LTD.

BHIWADI-301019 (INDIA)

	NAME	DATE
DRAWN	ASHUTOSH	05-11-2022
CHECKED	<i>Jindal</i>	14-1-23
APPROVED	<i>J. Ray</i>	14-01-23
SCALE		1:1&2.5:1
AREA	mm ²	105.29
PERIMETER	mm.	97.61
WEIGHT	kg/m	0.284
DRAWING No.	SECTION No.	
P-JAL-B-093	D-7548	

1. ALL DIMENSIONS ARE IN mm.
2. ROUND OFF ALL SHARP CORNERS WITH 0.40 mm.
3. TOLERANCES WILL BE AS PER BS:EN-755-9 , UNLESS OTHERWISE SPECIFIED

PARTY'S NAME	M/s ALUMINIUM TRADING CO.
PARTY'S DRAWING No.	AS PER DRAWING (DH-33-22)
ALLOY & TEMPER	6063-T6
DESCRIPTION	--