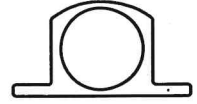
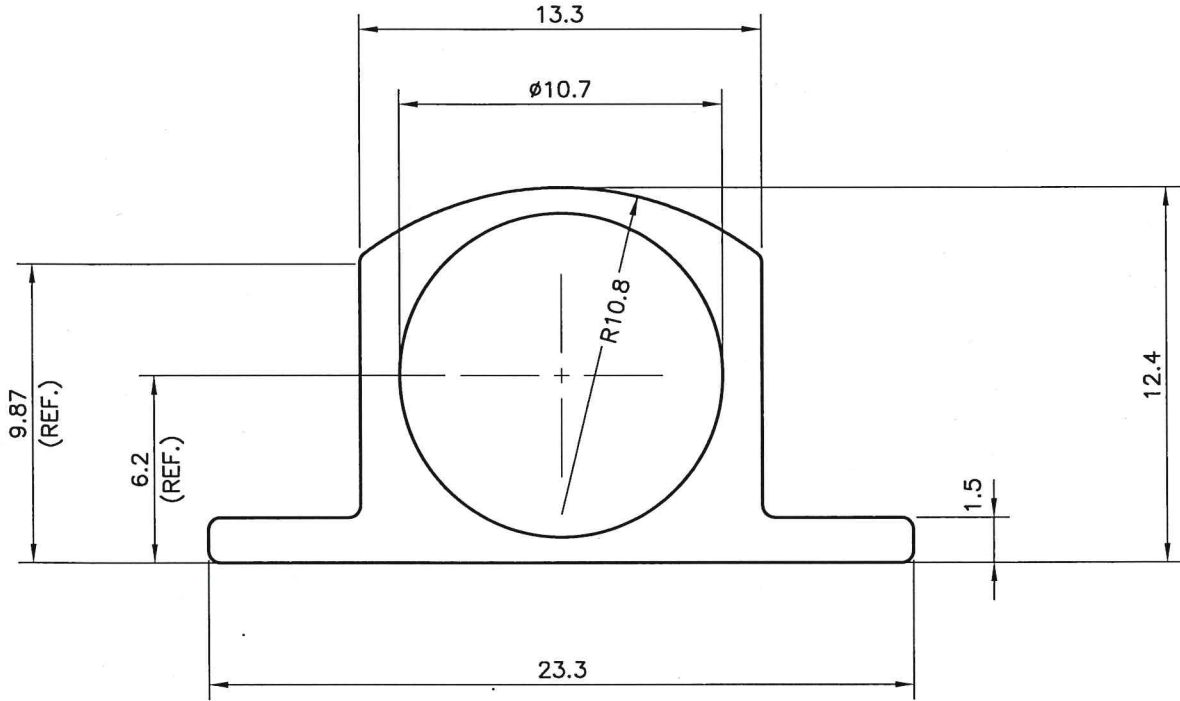


P-JAL-B-094

D-7549



SCALE:- 1:1



WEIGHT RANGE : 0.755KG/12' TO 0.835 KG/12'



SYMBOL OF QUALITY
AN ISO 9001 COMPANY

JINDAL ALUMINIUM LTD.
BHIWADI-301019 (INDIA)

	NAME	DATE
DRAWN	ASHUTOSH	09-11-2022
CHECKED	<i>Amil</i>	14-1-2023
APPROVED	<i>Pran</i>	14-1-23
SCALE	1:1&4:1	
AREA mm ²	80.24	
PERIMETER mm.	66.76	
WEIGHT kg/m	0.217	
DRAWING No.		SECTION No.
P-JAL-B-094		D-7549

1. ALL DIMENSIONS ARE IN mm.
2. ROUND OFF ALL SHARP CORNERS WITH 0.40 mm.
3. TOLERANCES WILL BE AS PER BS:EN-755-9 , UNLESS OTHERWISE SPECIFIED

PARTY'S NAME	M/s ALUMINIUM TRADING CO.
PARTY'S DRAWING No.	AS PER DRAWING (18111)
ALLOY & TEMPER	6063-T6
DESCRIPTION	--