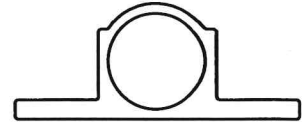


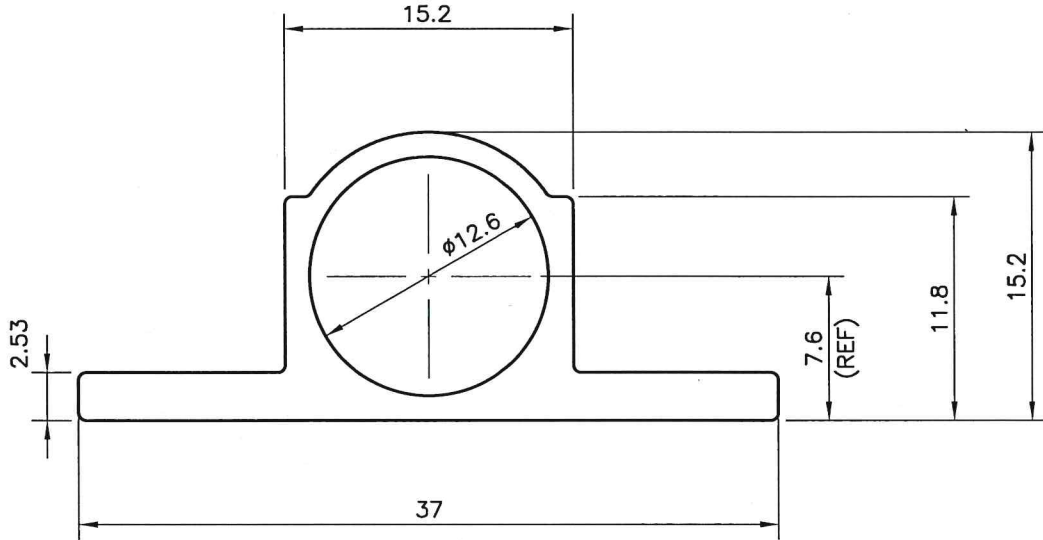
P-JAL-B-095

-

D-7550



SCALE:- 1:1



SYMBOL OF QUALITY  
AN ISO 9001 COMPANY

**JINDAL ALUMINIUM LTD.**  
BHIWADI-301019 (INDIA)

	NAME	DATE
DRAWN	ASHUTOSH	09-11-2022
CHECKED	<i>Amil</i>	14-1-23
APPROVED	<i>Man</i>	14.01.23
SCALE		1:1&2.5:1
AREA mm <sup>2</sup>		140.01
PERIMETER mm.		98.47
WEIGHT kg/m		0.378
DRAWING No.		SECTION No.
P-JAL-B-095		D-7550

1. ALL DIMENSIONS ARE IN mm.
2. ROUND OFF ALL SHARP CORNERS WITH 0.40 mm.
3. TOLERANCES WILL BE AS PER BS:EN-755-9 , UNLESS OTHERWISE SPECIFIED

PARTY'S NAME	M/s ALUMINIUM TRADING CO.
PARTY'S DRAWING No.	AS PER DRAWING (18106)
ALLOY & TEMPER	6063-T6
DESCRIPTION	---