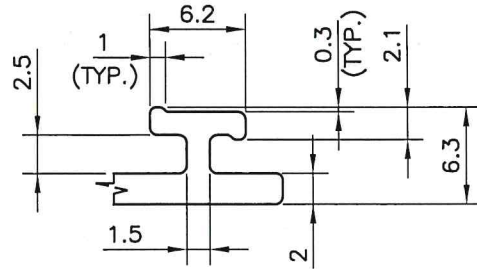
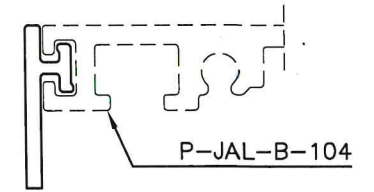


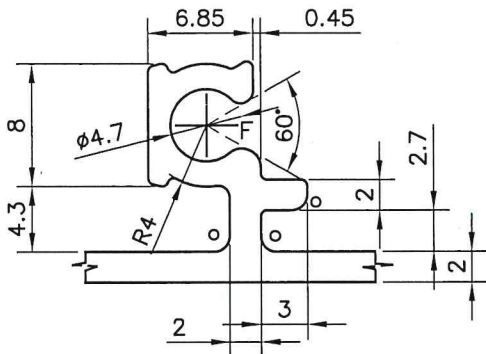
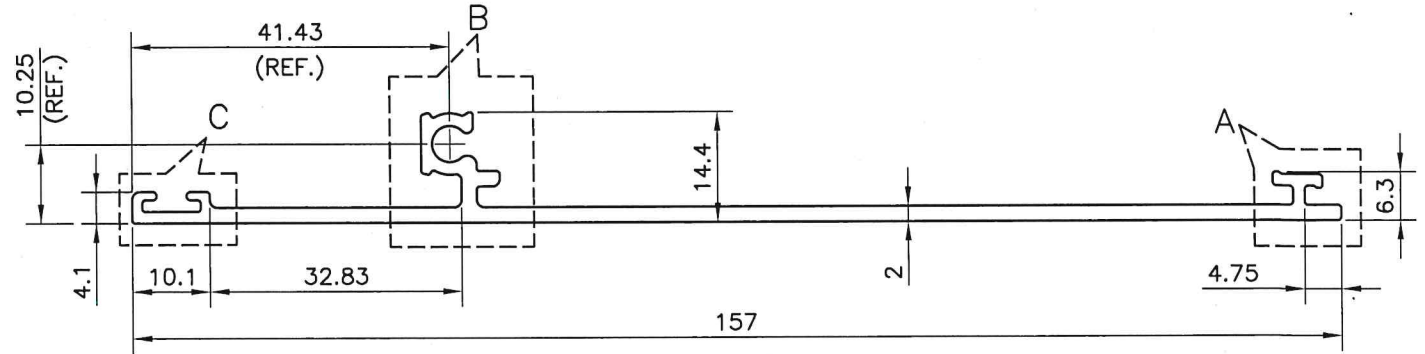
P-JAL-B-105

BEFORE APPROVAL CHECK ALL DIMENSIONS PROPERLY

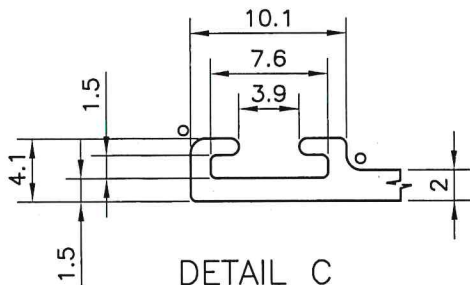
D-7555



DETAIL A
SCALE 2:1



DETAIL B
SCALE 2:1



DETAIL C
SCALE 2:1

NOTE:-

F = FULL RADIUS

o = 1.00R



SYMBOL OF QUALITY
AN ISO 9001 COMPANY

JINDAL ALUMINIUM LTD.

BHIWADI-301019 (INDIA)

1. ALL DIMENSIONS ARE IN mm.
2. ROUND OFF ALL SHARP CORNERS WITH 0.40 mm.
3. TOLERANCES WILL BE AS PER BS:EN-755-9 , UNLESS OTHERWISE SPECIFIED

PARTY'S NAME M/S. INTEGRITY WINDOWS & DOORS PVT. LTD.

PARTY'S DRAWING No. AS PER DRAWING 137.951 (Q00310)

ALLOY & TEMPER 6063-T6

DESCRIPTION --

	NAME	DATE
DRAWN	AMIT	30-12-2022
CHECKED	<i>Amil</i>	20-1-23
APPROVED	<i>MR</i>	20/01/23
SCALE	1:1 & 2:1	
AREA mm ²	381.45	
PERIMETER mm.	397.48	
WEIGHT kg/m	1.030	
DRAWING No.	SECTION No.	
P-JAL-B-105	D-7555	
-		
-		
-		