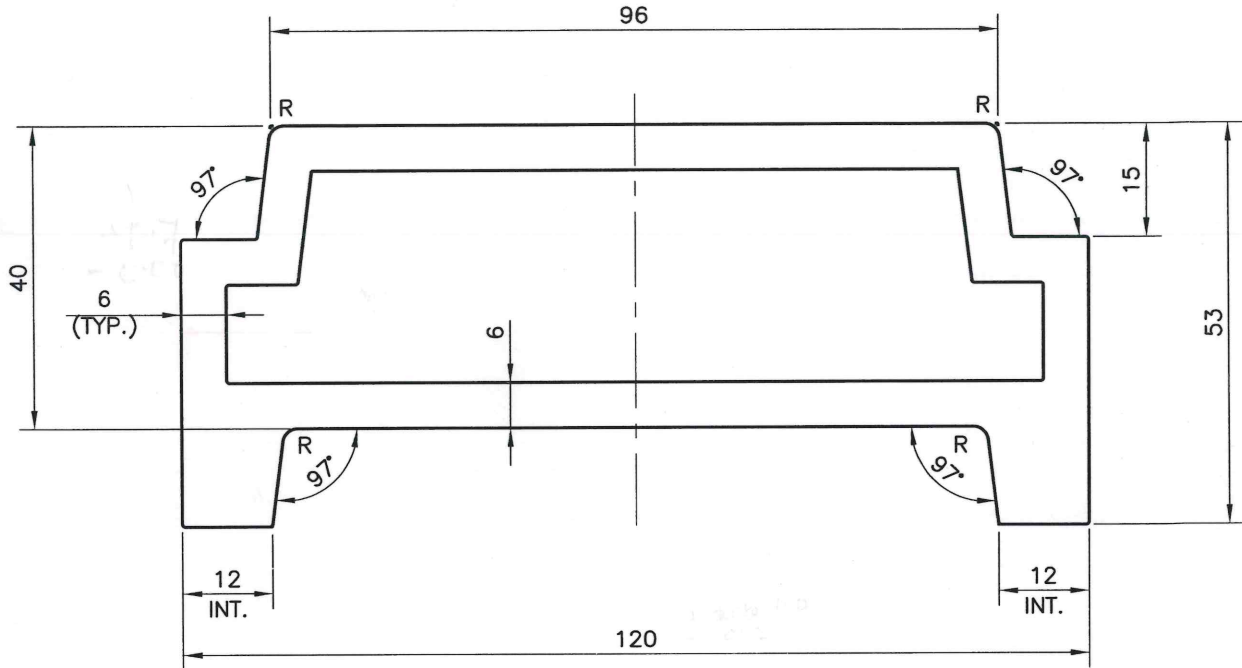


P-JAL-B-108

BEFORE APPROVAL CHECK ALL DIMENSIONS PROPERLY

D-7563



NOTE:-

R= 2.00R



SYMBOL OF QUALITY
AN ISO 9001 COMPANY

JINDAL ALUMINIUM LTD.

BHIWADI-301019 (INDIA)

	NAME	DATE
DRAWN	ASHUTOSH	17-01-2023
CHECKED	<i>[Signature]</i>	23-2-23
APPROVED	<i>[Signature]</i>	23/02/23
SCALE		1:1
AREA	mm ²	2087.95
PERIMETER	mm.	361.80
WEIGHT	kg/m	5.638
DRAWING No.	SECTION No.	
P-JAL-B-108	D-7563	

1. ALL DIMENSIONS ARE IN mm.
2. ROUND OFF ALL SHARP CORNERS WITH 0.40 mm.
3. TOLERANCES WILL BE AS PER BS:EN-755-9 , UNLESS OTHERWISE SPECIFIED

PARTY'S NAME	M/s. SVARN TELECOM LTD.
PARTY'S DRAWING No.	AS PER DRAWING STL-AD-106 (Q00220)
ALLOY & TEMPER	6005-T6
DESCRIPTION	-