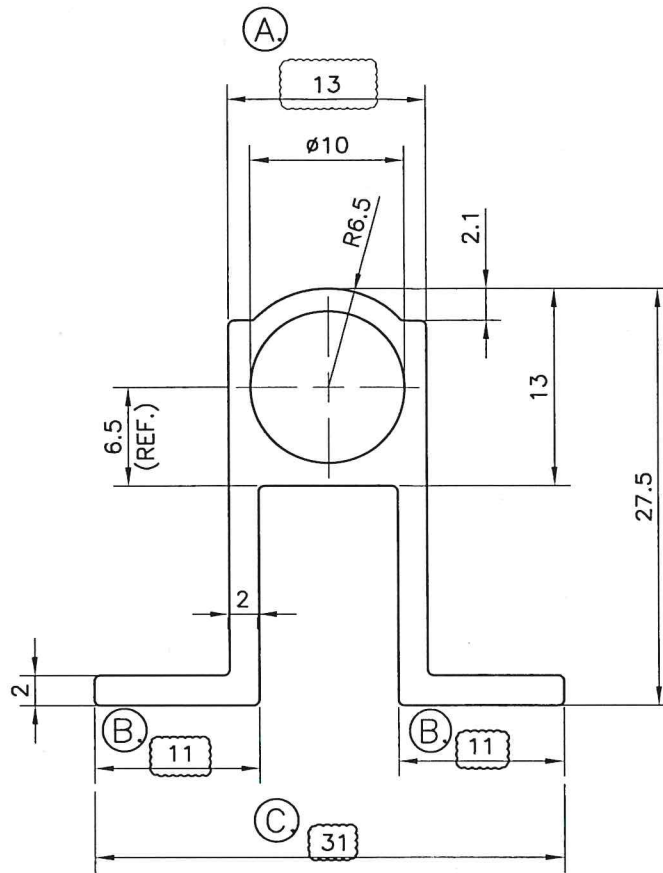
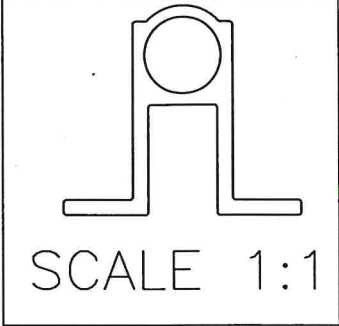



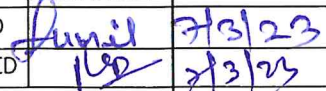
P-JAL-B-132-1

BEFORE APPROVAL CHECK ALL DIMENSIONS PROPERLY

-
D-7564



NOTE:-
 (A) DATE:20.02.2023- DIM. 13 WAS 13.2
 (B) DATE:20.02.2023- DIM. 11 WAS 11.15
 (A) DATE:20.02.2023- DIM. 31 WAS 31.5

 SYMBOL OF QUALITY AN ISO 9001 COMPANY	JINDAL ALUMINIUM LTD. BHIWADI-301019 (INDIA)	DRAWN	NAME	DATE
		CHECKED	ASHUTOSH	09-02-2023
1. ALL DIMENSIONS ARE IN mm. 2. ROUND OFF ALL SHARP CORNERS WITH 0.40 mm. 3. TOLERANCES WILL BE AS PER BS:EN-755-9 , UNLESS OTHERWISE SPECIFIED		APPROVED		
		SCALE	1:1	
PARTY'S NAME M/s. IMPERIAL METALMART		AREA	mm ² 170.93	
		PERIMETER	mm. 140.88	
PARTY'S DRAWING No. AS PER DRAWING SENT ON 08.02.2023 (Q00396)		WEIGHT	kg/m 0.462	
		DRAWING No.	SECTION No.	
ALLOY & TEMPER HE9 WP		P-JAL-B-132-1	D-7564	
DESCRIPTION TOWER BOLT				