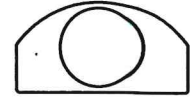
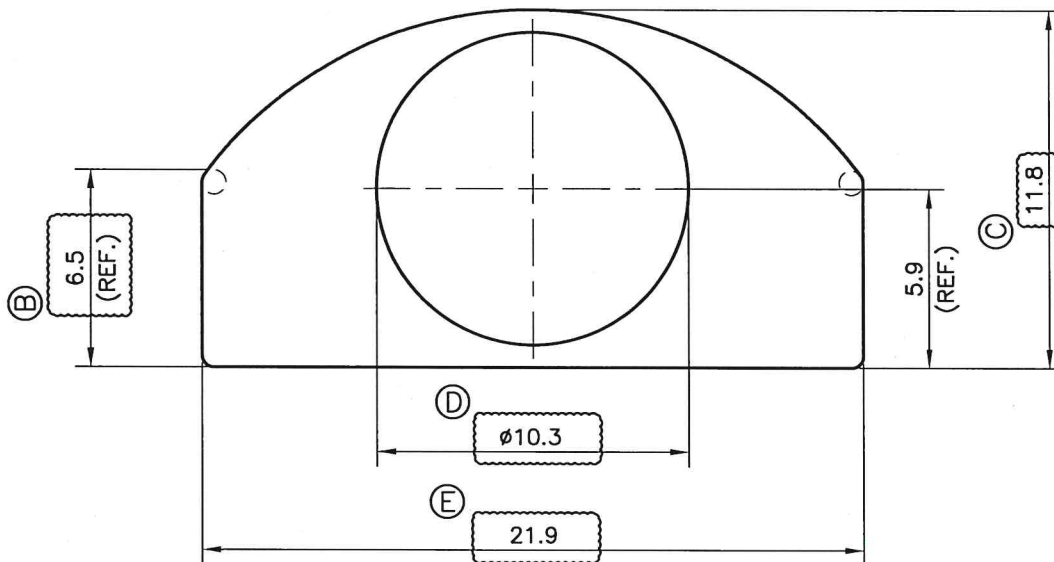


P-JAL-B-134-3

BEFORE APPROVAL CHECK ALL DIMENSIONS PROPERLY




SCALE 1:1



NOTE:-

- (A) DATE:24.02.2023- PARTY NAME REVISED
- (B) DATE:11.03.2023- DIM. 6.5mm WAS 8.55mm
- (C) DATE:14.03.2023- DIM. 11.8mm WAS 11.5mm
- (D) DATE:14.03.2023- DIM. 10.3mm WAS 10.0mm
- (E) DATE:14.03.2023- DIM. 21.9mm WAS 20.9mm

WEIGHT RANGE : 1.300KG/12' TO 1.440 KG/12'

 SYMBOL OF QUALITY AN ISO 9001 COMPANY	<b>JINDAL ALUMINIUM LTD.</b> BHIWADI-301019 (INDIA)	NAME	DATE
		DRAWN	ASHUTOSH
1. ALL DIMENSIONS ARE IN mm. 2. ROUND OFF ALL SHARP CORNERS WITH 0.40 mm. 3. TOLERANCES WILL BE AS PER BS:EN-755-9 , UNLESS OTHERWISE SPECIFIED		CHECKED	<i>[Signature]</i> 17/3/23
		APPROVED	<i>[Signature]</i> 17/03/23
PARTY'S NAME		SCALE	1:1&4:1
		AREA mm <sup>2</sup>	138.44
PARTY'S DRAWING No.		PERIMETER mm.	59.50
		WEIGHT kg/m	0.374
ALLOY & TEMPER		DRAWING No.	SECTION No.
		P-JAL-B-134-3	D-7566
DESCRIPTION			
TOWER BOLT SECTION			