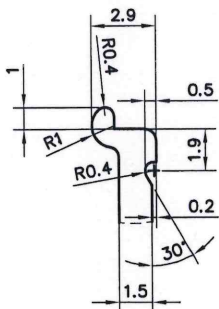
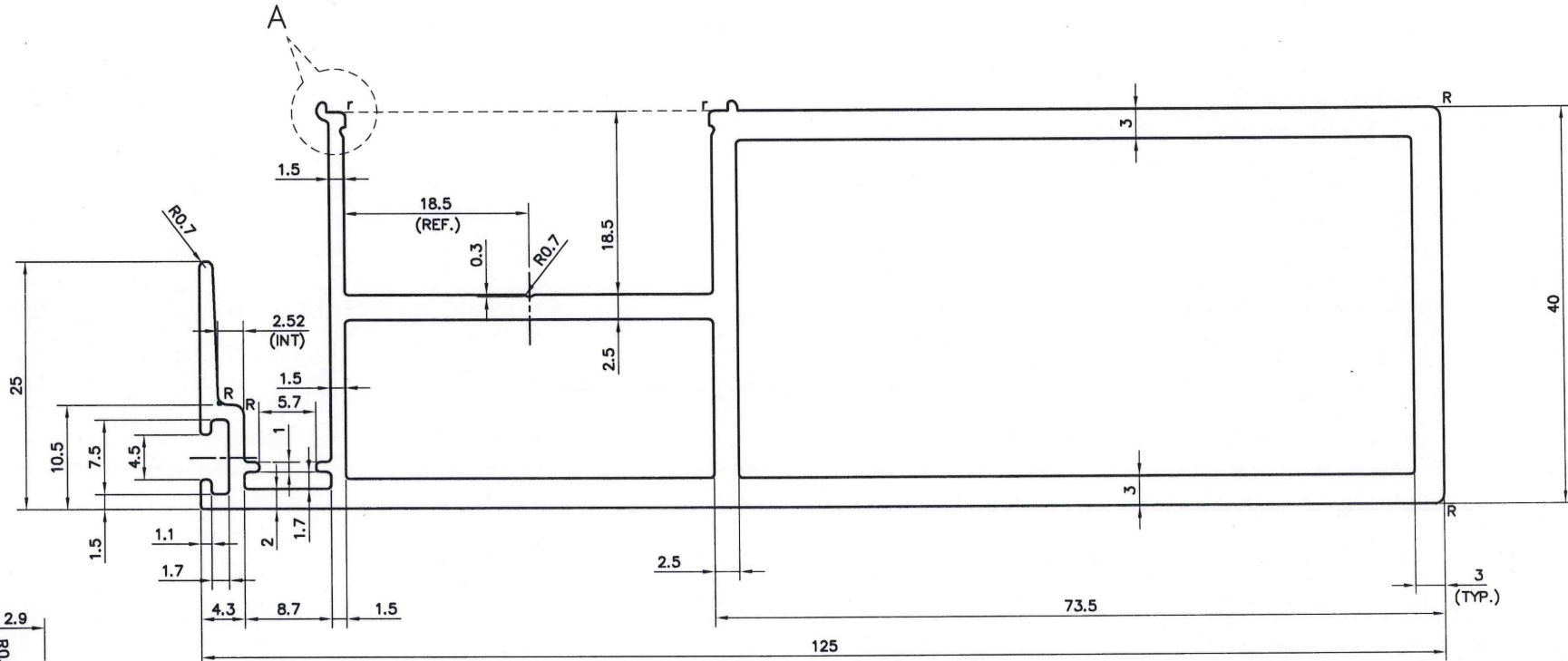


SCALE 1:1


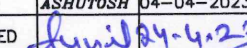
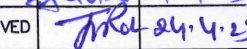


NOTE:-

$r = 0.50$ Radius (2 Places)

$R = 1.0$ Radius (4 Places)

DETAIL A
SCALE 4:1

 SYMBOL OF QUALITY AN ISO 9001 COMPANY		JINDAL ALUMINIUM LTD. BHIWADI-301019 (INDIA)		NAME	DATE
				DRAWN	ASHUTOSH
1. ALL DIMENSIONS ARE IN mm. 2. ROUND OFF ALL SHARP CORNERS WITH 0.40 mm. 3. TOLERANCES WILL BE AS PER BS:EN-755-9, UNLESS OTHERWISE SPECIFIED		CHECKED	 24.4.23		
		APPROVED	 24.4.23		
PARTY'S NAME M/s. SHANKAR FENESTRATIONS & GLASSES (I) PVT. LTD.		SCALE	1:1,2:1&4:1		
		AREA mm ²	964.07		
PARTY'S DRAWING No. AS PER DRAWING-INTERLOCK FRAME (Q00464)		PERIMETER mm.	430.48		
		WEIGHT kg/m	2.603		
ALLOY & TEMPER 6063-T6		DRAWING No.	SECTION No.		
		P-JAL-B-148	D-7580		
DESCRIPTION WINDOW SECTION		-			
		-			