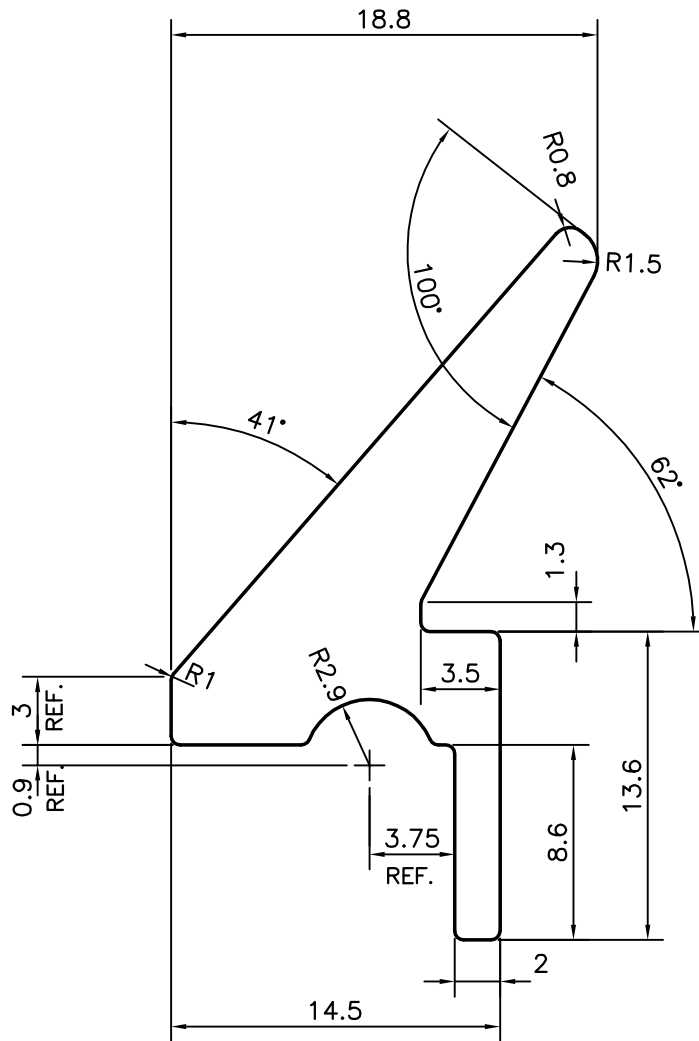
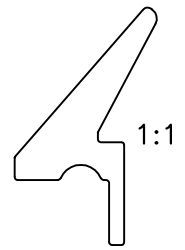


P-10833-1

E0006



SYMBOL OF QUALITY
AN ISO 9001 COMPANY

JINDAL ALUMINIUM LTD.
BANGALORE-560073 (INDIA)

	NAME	DATE
DRAWN	J.P.KAUSHIK	17-03-2011
CHECKED		
APPROVED	S.S.GARG	26-03-2011
SCALE		3:1
AREA mm ²		177.991
PERIMETER mm.		90.703
WEIGHT kg/m		0.481
DRAWING No.	SECTION No.	
P-10833-1	-	
E0006	E0006	

1. ALL DIMENSIONS ARE IN mm.
2. ROUND OFF ALL SHARP CORNERS WITH 0.40 mm.
3. TOLERANCES WILL BE AS PER IS:3965-1981 UNLESS OTHERWISE SPECIFIED

PARTY'S NAME	ALUPRO BUILDING SYSTEMS PVT.LTD.,BANGALORE
PARTY'S DRAWING No.	AS PER DRAWING
ALLOY & TEMPER	6063 T5
DESCRIPTION	MISC. SECTION