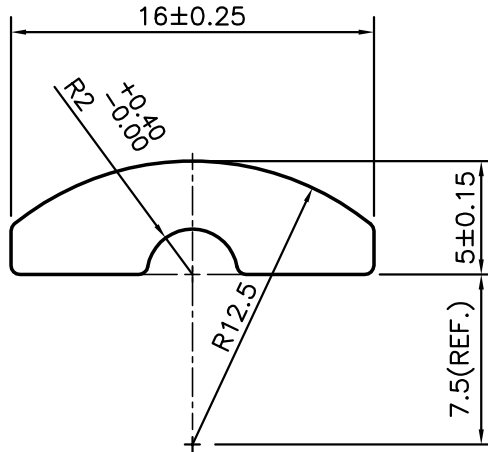


P-11063-1

E0016

EXPOSED SURFACE



SYMBOL OF QUALITY  
AN ISO 9001 COMPANY

**JINDAL ALUMINIUM LTD.**  
BANGALORE-560073 (INDIA)

	NAME	DATE
DRAWN	J.P.KAUSHIK	05-07-2011
CHECKED		
APPROVED	S.S.GARG	07-07-2011

1. ALL DIMENSIONS ARE IN mm.
2. ROUND OFF ALL SHARP CORNERS WITH 0.40 mm.
3. TOLERANCES WILL BE AS PER BS:EN-755-9 UNLESS OTHERWISE SPECIFIED

SCALE	3:1
AREA mm <sup>2</sup>	58.939
PERIMETER mm.	39.182
WEIGHT kg/m	0.159

PARTY'S NAME: DORMA INDIA PVT. LTD.,CHENNAI

DRAWING No.	SECTION No.
P-11063-1	-
E0016	E0016

PARTY'S DRAWING No.: 184002-01-1-20

ALLOY & TEMPER: 6005 T6

DESCRIPTION: MISC. SECTION