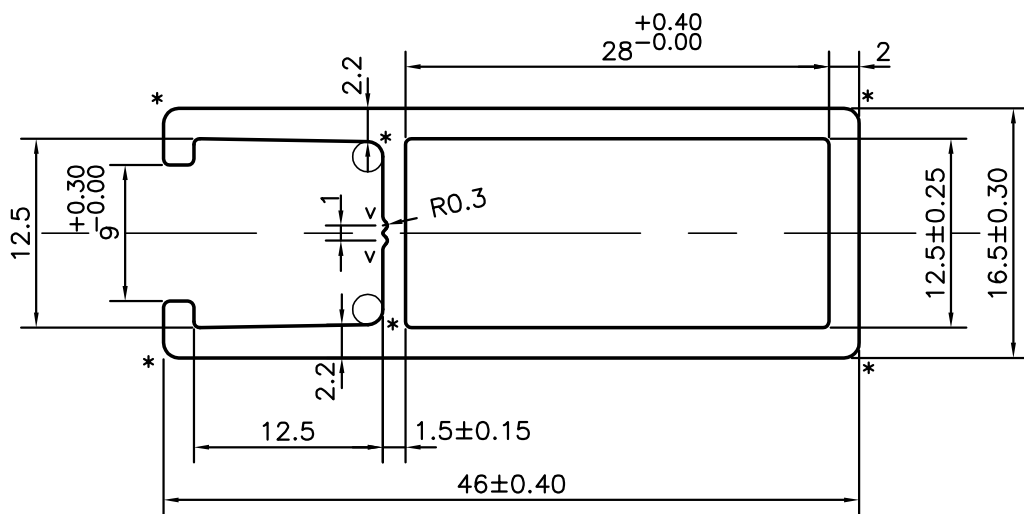
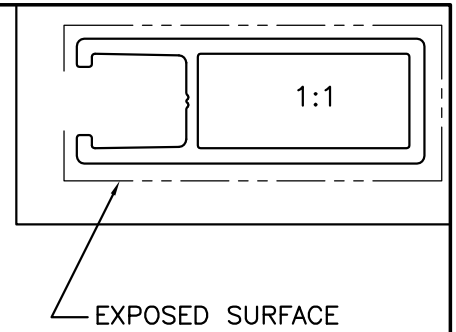


P-11133-1

E0031



* = 1.0 RADIUS (6 PLACES)



SYMBOL OF QUALITY
AN ISO 9001 COMPANY

JINDAL ALUMINIUM LTD.
BANGALORE-560073 (INDIA)

	NAME	DATE
DRAWN	J.P.KAUSHIK	11-08-2011
CHECKED		
APPROVED	S.S.GARG	18-08-2011
SCALE		2:1
AREA mm ²		236.677
PERIMETER mm.		157.394
WEIGHT kg/m		0.639
DRAWING No.	SECTION No.	
P-11133-1	-	
E0031	E0031	

1. ALL DIMENSIONS ARE IN mm.
2. ROUND OFF ALL SHARP CORNERS WITH 0.40 mm.
3. TOLERANCES WILL BE AS PER BS:EN-755-9 UNLESS OTHERWISE SPECIFIED

PARTY'S NAME	COSIGN NV, BELGIUM
PARTY'S DRAWING No.	E23065
ALLOY & TEMPER	6060 T6
DESCRIPTION	MISC. SECTION