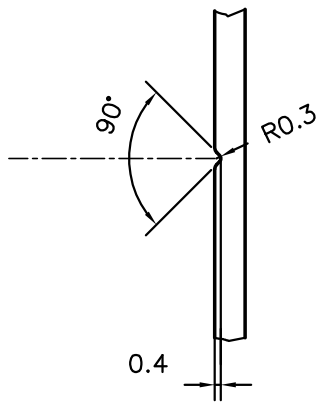
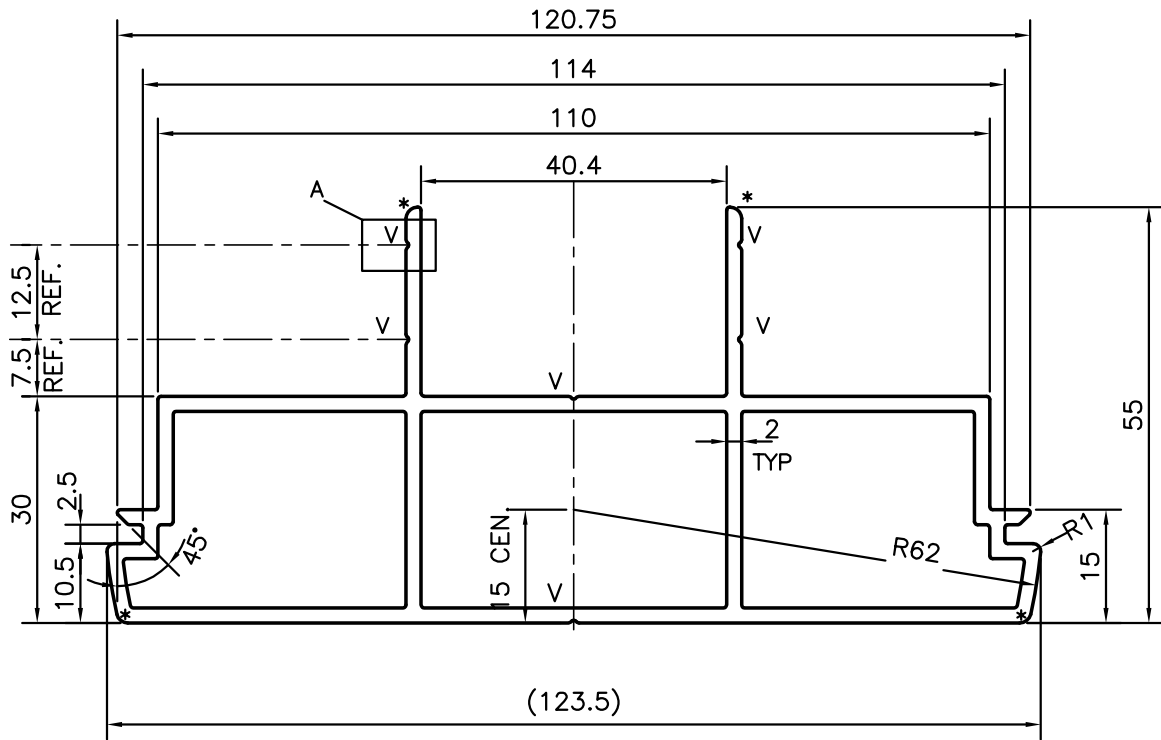


P-11151-1

E0034



DETAIL OF "A"  
SCALE 2:1

\* = 1.5 RADIUS (4 PLACES)  
V = 0.4x90°



SYMBOL OF QUALITY  
AN ISO 9001 COMPANY

**JINDAL ALUMINIUM LTD.**  
BANGALORE-560073 (INDIA)

	NAME	DATE
DRAWN	PARVESH	12-08-2011
CHECKED		
APPROVED	S.S.GARG	23-08-2011
SCALE		1:1
AREA mm <sup>2</sup>		804.429
PERIMETER mm.		408.959
WEIGHT kg/m		2.172
DRAWING No.	SECTION No.	
P-11151-1	-	
E0034	E0034	

1. ALL DIMENSIONS ARE IN mm.
2. ROUND OFF ALL SHARP CORNERS WITH 0.40 mm.
3. TOLERANCES WILL BE AS PER,BS:EN-755-9 UNLESS OTHERWISE SPECIFIED

PARTY'S NAME	COSIGN INDIA PVT. LTD., PUNE
PARTY'S DRAWING No.	AS PER DRAWING
ALLOY & TEMPER	6060 T6
DESCRIPTION	MISC. SECTION