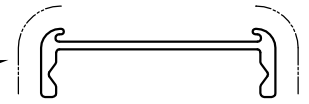


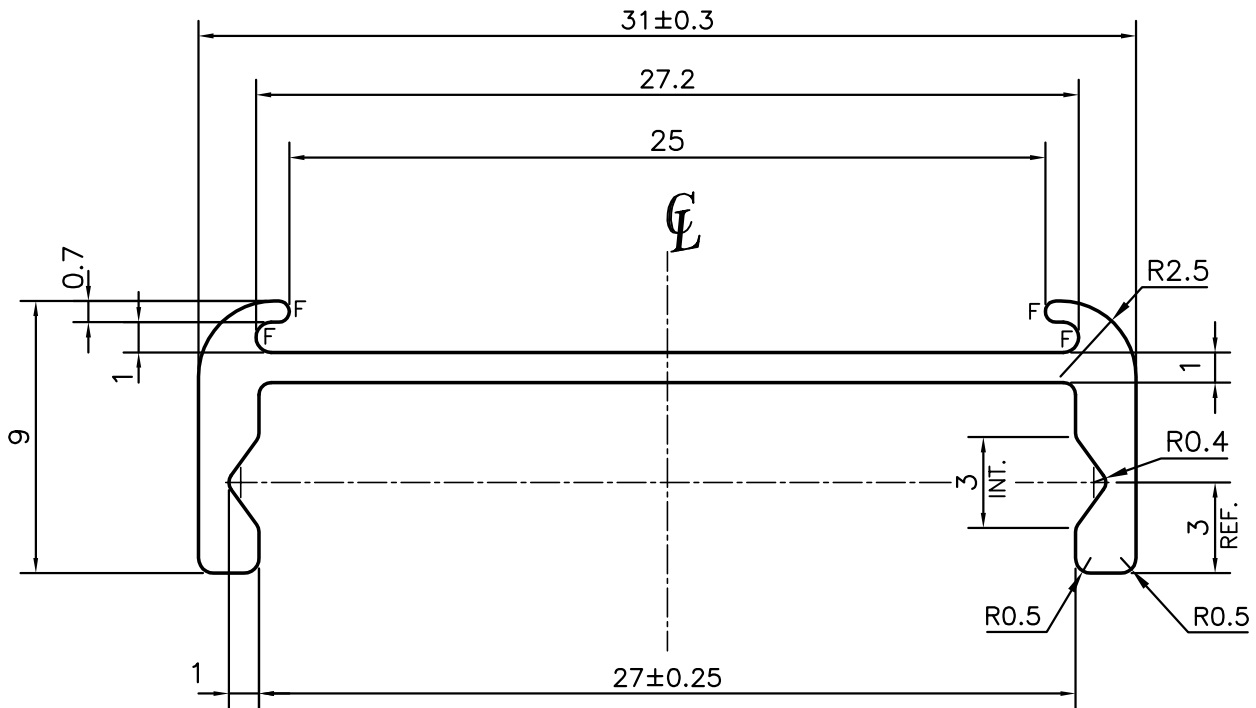
P-11827

E0059

EXPOSED SURFACE



SCALE :- 1:1



F = FULL RADIUS (4 PLACES)



SYMBOL OF QUALITY  
AN ISO 9001 COMPANY

**JINDAL ALUMINIUM LTD.**  
BANGALORE-560073 (INDIA)

|          | NAME     | DATE       |
|----------|----------|------------|
| DRAWN    | PARVESH  | 16-06-2012 |
| CHECKED  |          |            |
| APPROVED | S.S.GARG | 07-08-2012 |

1. ALL DIMENSIONS ARE IN mm.
2. ROUND OFF ALL SHARP CORNERS WITH 0.40 mm.
3. TOLERANCES WILL BE AS PER BS:EN-755-9, UNLESS OTHERWISE SPECIFIED

|                      |        |
|----------------------|--------|
| SCALE                | 4:1    |
| AREA mm <sup>2</sup> | 58.22  |
| PERIMETER mm.        | 96.828 |
| WEIGHT kg/m          | 0.157  |

PARTY'S NAME COSIGN INDIA PVT. LTD., PUNE

DRAWING No. SECTION No.

PARTY'S DRAWING No. AS01031

P-11827  
E0059

ALLOY & TEMPER 6060 T66

DESCRIPTION DISPLAY SECTION