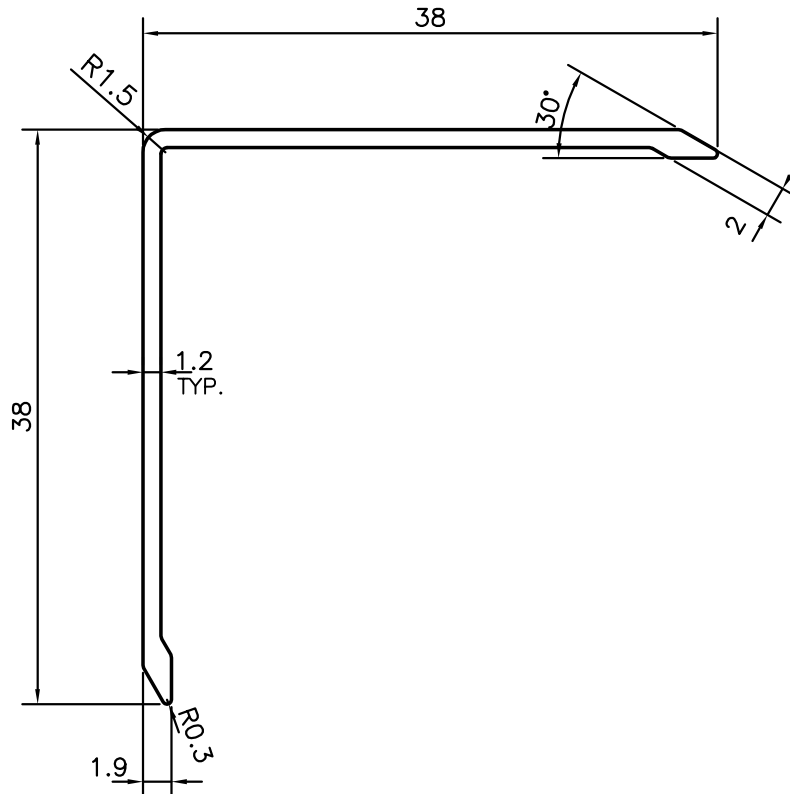


P-12170

E0067

SCALE:- 1:1



SYMBOL OF QUALITY  
AN ISO 9001 COMPANY

**JINDAL ALUMINIUM LTD.**  
BANGALORE-560073 (INDIA)

	NAME	DATE
DRAWN	PARVESH	22-10-2012
CHECKED		
APPROVED	S.S.GARG	12-11-2012
SCALE		2:1
AREA mm <sup>2</sup>		91.036
PERIMETER mm.		150.519
WEIGHT kg/m		0.246
DRAWING No.	SECTION No.	
P-12170	-	
E0067	E0067	

1. ALL DIMENSIONS ARE IN mm.
2. ROUND OFF ALL SHARP CORNERS WITH 0.40 mm.
3. TOLERANCES WILL BE AS PER IS:3965-1981, UNLESS OTHERWISE SPECIFIED

PARTY'S NAME	SURFACES, BANGALORE
PARTY'S DRAWING No.	AS PER X1482
ALLOY & TEMPER	HE9 WP
DESCRIPTION	ARCHITECTURAL SECTION