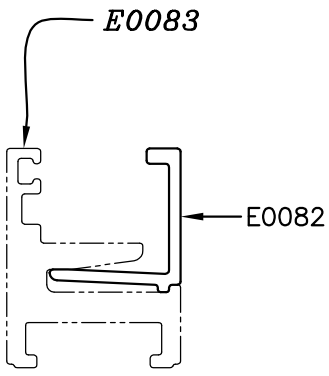
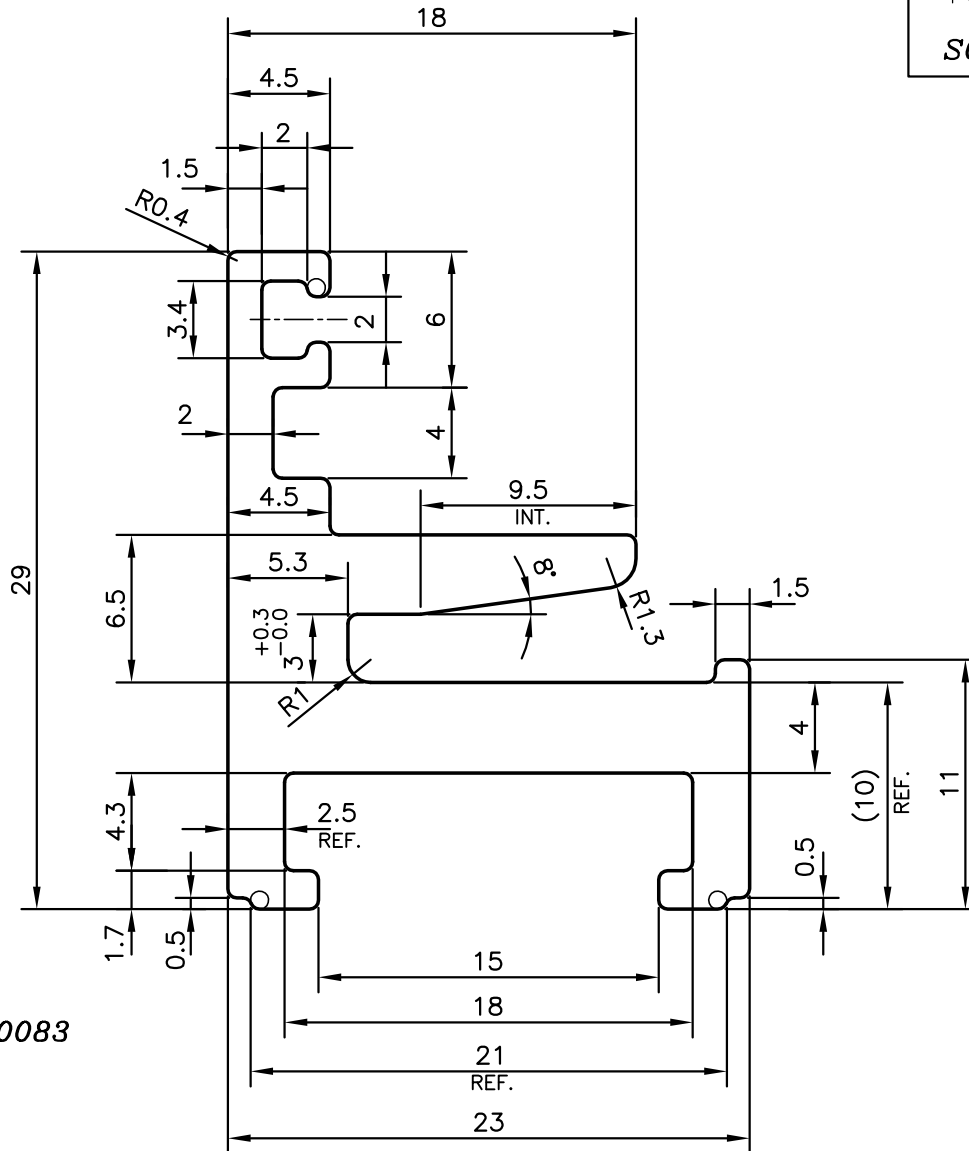


P-12382-1

E0083

EXPOSED SURFACE

SCALE:- 1:1



SYMBOL OF QUALITY
AN ISO 9001 COMPANY

JINDAL ALUMINIUM LTD.
BANGALORE-560073 (INDIA)

	NAME	DATE
DRAWN	PARVESH	02-01-2013
CHECKED		
APPROVED	S.S.GARG	11-03-2013

1. ALL DIMENSIONS ARE IN mm.
2. ROUND OFF ALL SHARP CORNERS WITH 0.40 mm.
3. TOLERANCES WILL BE AS PER BS:EN-12020-2, UNLESS OTHERWISE SPECIFIED

SCALE	3:1
AREA mm ²	237.392
PERIMETER mm.	155.406
WEIGHT kg/m	0.641

PARTY'S NAME	DORMA INDIA PVT. LTD., CHENNAI	DRAWING No.	P-12382-1	SECTION No.	-
PARTY'S DRAWING No.	80725000100		E0083		E0083
ALLOY & TEMPER	6060 T66				
DESCRIPTION	WALL CONNECTING PROFILE				