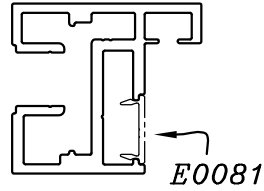
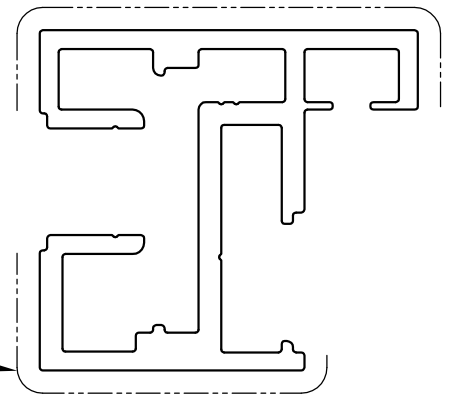


P-12384-1

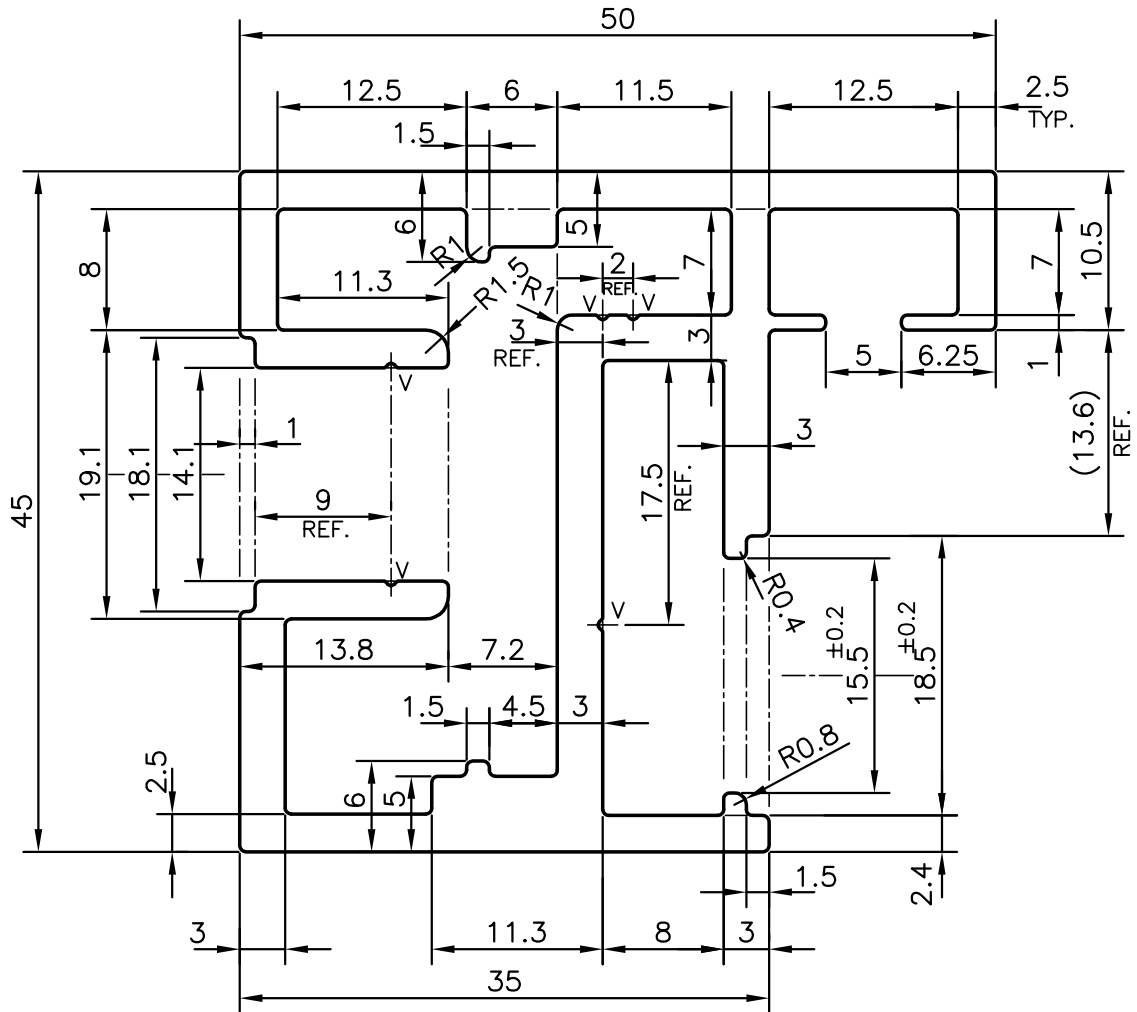
E0085



EXPOSED SURFACE



SCALE: - 1:1



V = VEE GROOVE 0.3x90° (5 PLACES)



SYMBOL OF QUALITY
AN ISO 9001 COMPANY

JINDAL ALUMINIUM LTD.
BANGALORE-560073 (INDIA)

	NAME	DATE
DRAWN	PARVESH	16-02-2013
CHECKED		
APPROVED	S.S.GARG	11-03-2013

1. ALL DIMENSIONS ARE IN mm.
2. ROUND OFF ALL SHARP CORNERS WITH 0.40 mm.
3. TOLERANCES WILL BE AS PER BS:EN-12020-2 , UNLESS OTHERWISE SPECIFIED

SCALE	2:1
AREA mm ²	587.849
PERIMETER mm.	432.068
WEIGHT kg/m	1.587

PARTY'S NAME	DORMA INDIA PVT. LTD., CHENNAI
PARTY'S DRAWING No.	83205000100
ALLOY & TEMPER	6060 T66
DESCRIPTION	PROFILE AT50

DRAWING No.	SECTION No.
P-12384-1	-
E0085	E0085