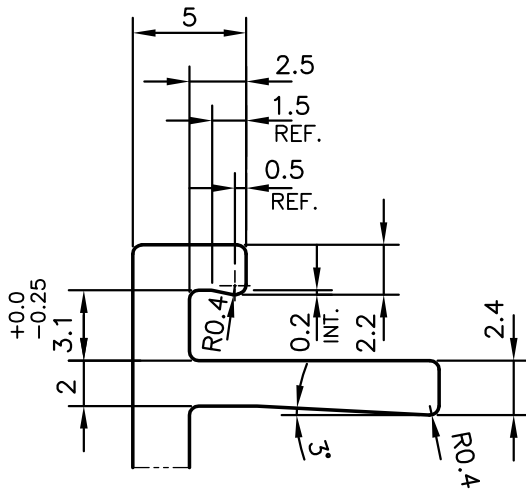
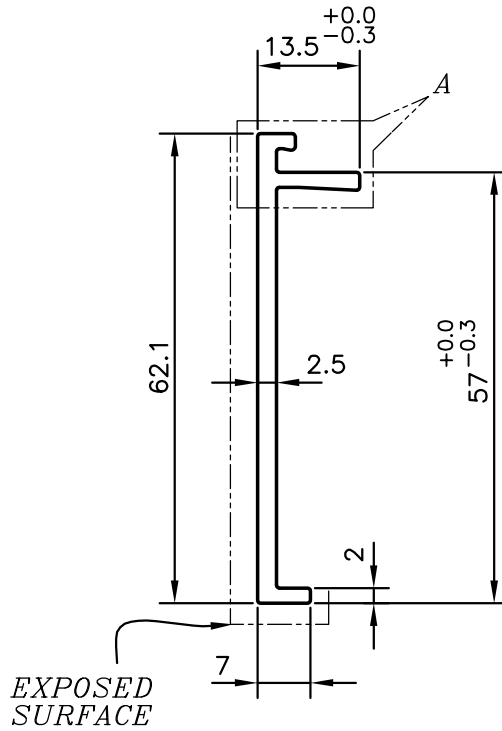


P-12364-3

E0090



DETAIL OF "A"
SCALE 3:1



SYMBOL OF QUALITY
AN ISO 9001 COMPANY

JINDAL ALUMINIUM LTD.
BANGALORE-560073 (INDIA)

	NAME	DATE
DRAWN	PARVESH	02-03-2013
CHECKED		
APPROVED	S.S.GARG	18-03-2013
SCALE		1:1
AREA mm ²		192.99
PERIMETER mm.		163.733
WEIGHT kg/m		0.521
DRAWING No.	SECTION No.	
P-12364-3	-	
E0090	E0090	

1. ALL DIMENSIONS ARE IN mm.
2. ROUND OFF ALL SHARP CORNERS WITH 0.40 mm.
3. TOLERANCES WILL BE AS PER BS:EN-12020-2 , UNLESS OTHERWISE SPECIFIED

PARTY'S NAME	DORMA INDIA PVT. LTD., CHENNAI
PARTY'S DRAWING No.	80716100100
ALLOY & TEMPER	6060 T66
DESCRIPTION	MISC. SECTION