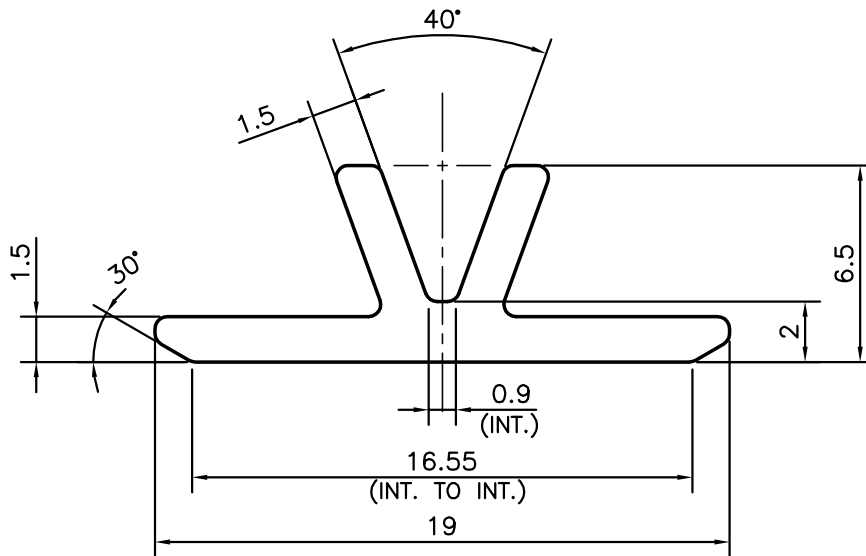


P-12600

E0099



SCALE 1:1



SYMBOL OF QUALITY
AN ISO 9001 COMPANY

JINDAL ALUMINIUM LTD.
BANGALORE-560073 (INDIA)

	NAME	DATE
DRAWN	SRIVATHSA	14-03-2013
CHECKED		
APPROVED	S.S.GARG	19-03-2013

1. ALL DIMENSIONS ARE IN mm.
2. ROUND OFF ALL SHARP CORNERS WITH 0.40 mm.
3. TOLERANCES WILL BE AS PER IS:3965-1981, UNLESS OTHERWISE SPECIFIED

SCALE	4:1
AREA mm ²	43.867
PERIMETER mm.	58.324
WEIGHT kg/m	0.118

PARTY'S NAME	VISTA SYSTEM INDIA, BANGALORE	DRAWING No.	P-12600	SECTION No.	-
PARTY'S DRAWING No.	AS PER AUTOCAD DRAWING		E0099		E0099
ALLOY & TEMPER	HE9 WP				
DESCRIPTION	MISC. PROFILE				