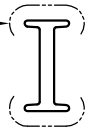
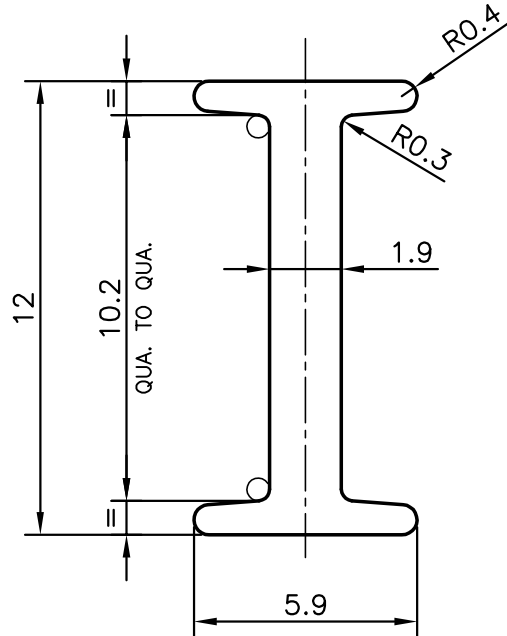


P-12813

E0113

EXPOSED
SURFACE

SCALE: - 1:1



TOLERANCES ON OVERALL WIDTHS & WIDTHS ACROSS FLATS OF BARS, & REGULAR SECTIONS

| | | | |
|--------------------------|---------------------------|---------------------------|----------------------------|
| UPTO 6.40mm - ± 0.20 | UPTO 32.0mm - ± 0.38 | UPTO 120.0mm - ± 0.85 | UPTO 320.00mm - ± 1.70 |
| UPTO 10.0mm - ± 0.23 | UPTO 50.0mm - ± 0.46 | UPTO 160.0mm - ± 1.02 | |
| UPTO 12.0mm - ± 0.25 | UPTO 60.0mm - ± 0.53 | UPTO 200.0mm - ± 1.14 | |
| UPTO 16.0mm - ± 0.28 | UPTO 80.0mm - ± 0.69 | UPTO 250.0mm - ± 1.40 | |
| UPTO 25.0mm - ± 0.30 | UPTO 100.0mm - ± 0.75 | UPTO 300.0mm - ± 1.65 | |

SYMBOL OF QUALITY
AN ISO 9001 COMPANY**JINDAL ALUMINIUM LTD.**
BANGALORE-560073 (INDIA)

| | NAME | DATE |
|----------|----------|------------|
| DRAWN | PARVESH | 03-06-2013 |
| CHECKED | | |
| APPROVED | S.S.GARG | 06-06-2013 |

1. ALL DIMENSIONS ARE IN mm.
2. ROUND OFF ALL SHARP CORNERS WITH 0.40 mm.
3. TOLERANCES WILL BE AS PER IS:3965-1981, UNLESS OTHERWISE SPECIFIED

| | |
|----------------------|--------|
| SCALE | 5:1 |
| AREA mm ² | 29.383 |
| PERIMETER mm. | 41.527 |
| WEIGHT kg/m | 0.079 |

| | | | | | |
|---------------------|---------------------------------|-------------|---------|-------------|-------|
| PARTY'S NAME | SURFACES, BANGALORE | DRAWING No. | P-12813 | SECTION No. | - |
| PARTY'S DRAWING No. | MODIFIED OF SECTION No.:- E0064 | | E0113 | | E0113 |
| ALLOY & TEMPER | HE9 WP | | | | |
| DESCRIPTION | ARCHITECTURAL SECTION | | | | |